

# OS&Y and NRS Gate Valves

## Resilient Seated Gate Valves – TJ Series



### TJ Series Gate Valve

- One of the lightest, most durable gate valves on the market
- Available in FxF, FxG, GxG connections
- Tapping bosses on all models for up and downstream connection
- Corrosion-resistant and encapsulated EPDM ductile iron wedge
- UL, ULc Listed and FM Approved to help ensure dependability

### Gate Valves

The Tyco® Resilient Seated Gate Valves feature a lightweight ductile iron body that weighs approximately 50% less than conventional cast iron valves, which allows for easier handling on site and reduces shipping costs. A fully encapsulated EPDM ductile iron wedge is intended to achieve bubble-tight sealing. Components that are not designed to be inherently corrosion resistant are coated with a thermally applied fusion-bonded epoxy.

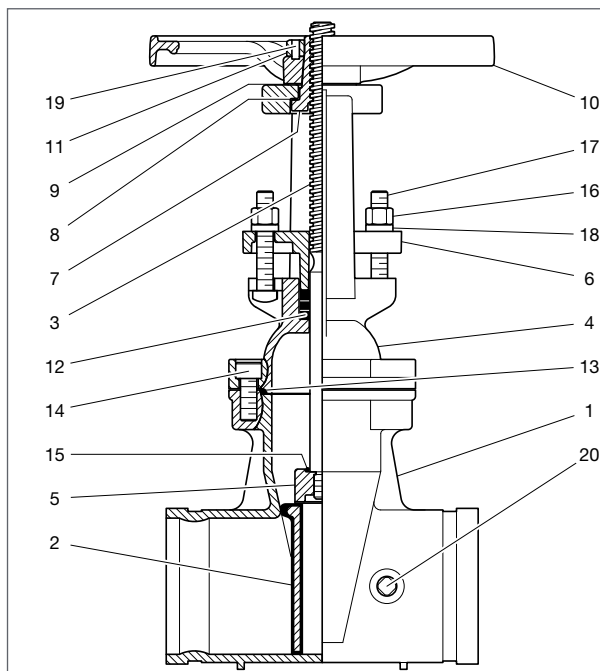
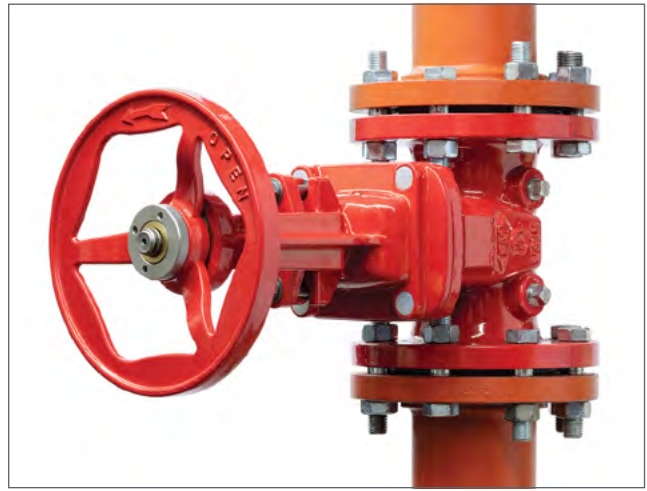
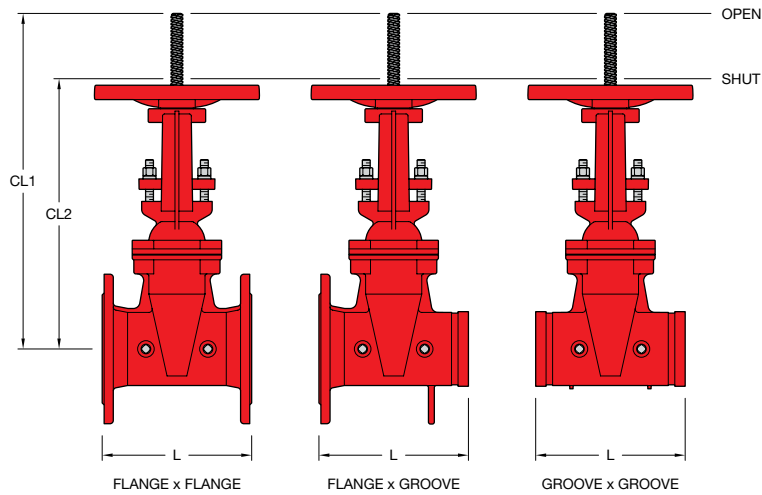
Complete range of end connections includes flange-by-flange, flange-by-groove and groove-by-groove configurations. Available standard sizes from 2" to 12" with the exception of flange-by-flange which goes up to 16". All models feature tapping boss locations, for easier, faster connections of additional components like a gauge or pressure switch, while also providing a system draining method that can help simplify maintenance. Additionally, the OS&Y Gate Valve incorporates a unique design feature that provides a backup sealing device for the O-ring stem. This can be activated with the valve under full working pressure in the unlikely event of future leakage past the primary seals.

### Indicator Post

The adjustable indicator post is designed for buried applications, such as underground water supplies, and is used with 2" to 24" (DN50 to DN600) Non Rising Spindle, Resilient Seated PIV Gate Valves. Buried valves are commonly used to control water supply to automatic sprinklers, water spray deluge, foam-water deluge or standpipe systems.

The indicator post features a telescoping stem that can be adjusted to its final position in the field and is available in four different lengths. The appropriate post type for a particular application depends on the size of the valve and trench depth. The posts are normally used with clockwise closing valves but may be ordered for use with counterclockwise closing valves. Wall indicator posts are utilized in applications such as interior water systems and for the above ground actuation of gate valves. Both types of indicators provide external visual indication of the open or shut status of the valve as well as a locking mechanism to secure the position.

# Resilient Seated Figure 333 Gate Valves - TJ Series



| No. | Description       | Qty. | Material                   |
|-----|-------------------|------|----------------------------|
| 1   | BODY              | 1    | ASTM A536 65-45-12         |
| 2   | WEDGE             | 1    | EPDM                       |
| 3   | STEM              | 1    | AISI SS420                 |
| 4   | BONNET            | 1    | ASTM A536 65-45-12         |
| 5   | DISC NUT          | 1    | ASTM A531 CF8              |
| 6   | PACKING           | 1    | ASTM A536 65-45-12         |
| 7   | NUT               | 1    | ASTM B62                   |
| 8   | NUT-SHIM          | 1    | ASTM B16                   |
| 9   | HANDWHEEL-SHIM    | 1    | ASTM B16                   |
| 10  | HANDWHEEL         | 1    | ASTM A536 65-45-12         |
| 11  | HANDWHEEL NUT     | 1    | CARBON STEEL GALVANIZATION |
| 12  | PACKING           | 3    | PTFE                       |
| 13  | SEAL RING         | 1    | EPDM                       |
| 14  | HEXAGO-SCREW      | 4-10 | 8.8 RATING                 |
| 15  | O-RING            | 1    | EPDM                       |
| 16  | HEXAGO-NUT        | 2    | ASTM SS304                 |
| 17  | BOLT              | 2    | ASTM SS304                 |
| 18  | SPRING WASHER     | 2    | ASTM SS304                 |
| 19  | CYLINDRICAL SCREW | 1    | ASTM SS304                 |
| 20  | PLUG              | 2    | ASTM SS304                 |

| Valve Size<br>Inches (DN)                              |     | 2<br>(DN50)     | 2-1/2<br>(DN65) | 3<br>(DN80)     | 4<br>(DN100)     | 6<br>(DN150)     | 8<br>(DN200)     | 10<br>(DN250)    | 12<br>(DN300)     |                   |                  |
|--|-----|-----------------|-----------------|-----------------|------------------|------------------|------------------|------------------|-------------------|-------------------|------------------|
| Face to face (L) Inches (mm)                           |     | 7.00<br>(178)   | 7.50<br>(191)   | 8.00<br>(203)   | 9.00<br>(229)    | 10.50<br>(254)   | 10.50<br>(267)   | 11.50<br>(292)   | 13.00<br>(330)    | 14.00<br>(356)    |                  |
| Centre Height Open (CL1) Inches (mm)                   |     | 15.55<br>(395)  | 16.14<br>(410)  | 18.9<br>(480)   | 22.56<br>(573)   | 29.53<br>(750)   | 29.53<br>(750)   | 37.64<br>(956)   | 46.26<br>(1175)   | 51.89<br>(1318)   |                  |
| Centre Height Closed (CL2) Inches (mm)                 |     | 13.07<br>(332)  | 13.31<br>(338)  | 14.96<br>(380)  | 17.72<br>(450)   | 23.31<br>(592)   | 23.31<br>(592)   | 29.45<br>(748)   | 34.96<br>(888)    | 39.57<br>(1005)   |                  |
| Grooved version OD<br>Inches (mm)                      | OD1 | 2.375<br>(60,3) | 2.875<br>(73,0) | 3.500<br>(88,9) | 4.500<br>(114,3) | 6.500<br>(165,1) | 6.625<br>(168,3) | 8.625<br>(219,1) | 10.750<br>(273,1) | 12.750<br>(323,9) |                  |
| Flange x Flange Tapping Boss (P) Size<br>ANSI Inch NPT |     | 1/2             |                 |                 | 3/4              |                  |                  | 1                |                   |                   |                  |
| Weight Lbs. (Kg)                                       | FxF | 38.8<br>(17,64) | 41.6<br>(18,91) | 41.6<br>(18,91) | 48.7<br>(22,13)  | 59.8<br>(27,16)  | 103.2<br>(46,9)  | 103.2<br>(46,9)  | 158.4<br>(72)     | 244.2<br>(111)    | 367.4<br>(167)   |
|  | FxG | 36.7<br>(16,7)  | 39.1<br>(17,76) | 39.1<br>(17,76) | 48.3<br>(21,97)  | 56.3<br>(25,58)  | 98.9<br>(44,95)  | 98.9<br>(44,95)  | 160.6<br>(73)     | 238.7<br>(108,5)  | 359.7<br>(163,5) |
|  | GxG | 34.7<br>(15,75) | 36.5<br>(16,6)  | 36.5<br>(16,6)  | 48.0<br>(21,8)   | 52.8<br>(24)     | 94.6<br>(43)     | 94.6<br>(43)     | 162.8<br>(74)     | 233.2<br>(106)    | 352.0<br>(160)   |

Always refer to the Technical Data Sheets TFP1541 and TFP1546, and our general T&C of sale for a complete description of all criteria, design parameters, installation instructions, care and maintenance guidelines, and other terms such as our limited warranty.