

**WHEN WATER IS LIMITED,  
HOW COMPETITIVE ARE YOU?**

**BE MORE COMPETITIVE –  
REDUCE INSTALLATION COSTS**

Sprinkler systems can be expensive when water is limited but the 3.0 gives contractors a cost-saving option that can be used to win more business:

- ◆ Use Smaller Pipe & Fittings
- ◆ Use 5/8" Water Meters Or Existing Wells

**WITH LESS COST IN THE  
INSTALLATION, YOU CAN GET  
MORE BUSINESS & MORE PROFIT!**

The Tyco® Series LFII (TY1234) Rapid Response™ Residential Pendent and Recessed Pendent Sprinklers are decorative, fast response, frangible bulb sprinklers.

Designed for where there is a limited public water supply or where the system is supplied by a well, the LFII 3.0K sprinkler is the smallest K-factor residential sprinkler available. Optimized for 12 ft. x 12 ft. spacing, it is ideal for use in one- and two-family homes, townhomes and manufactured homes per NFPA 13D. The LFII 3.0K sprinkler allows a system to be designed using a smaller water service, a smaller water meter and smaller system pipe sizes, ultimately reducing the installed cost of the systems.

In NFPA 13 residential applications in high-rise buildings, there is often significant excess pressure available on lower floors to get water to the top floors. The LFII 3.0K sprinkler reduces potential over-discharge at those high pressures.

- ◆ 8 Gallons Per Minute At 12 ft. x 12 ft. Spacing
- ◆ Listings Up To 16 ft. x 16 ft. Spacing
- ◆ Used In Residential Sprinkler Systems Per NFPA 13D, 13R And 13.

**SERIES LFII 3.0 K-FACTOR  
PENDENT & RECESSED PENDENT SPRINKLERS**

*Residential Sprinklers (TY1234)*



| MIN. FLOW & RESIDUAL PRESSURE FOR HORIZONTAL CEILING<br><i>(Max 2" Rise for 12" Run)</i> |                        |                        |
|------------------------------------------------------------------------------------------|------------------------|------------------------|
| Max. Coverage Area<br>Ft. x Ft.                                                          | 3.0 K-Factor<br>TY1234 | 4.9 K-Factor<br>TY2234 |
| 12 x 12                                                                                  | 8 GPM / 7.1 psi        | 13 GPM / 7.0 psi       |
| 14 x 14                                                                                  | 11 GPM / 13.4 psi      | 13 GPM / 7.0 psi       |
| 16 x 16                                                                                  | 13 GPM / 18.8 psi      | 13 GPM / 7.0 psi       |
| 18 x 18                                                                                  | –                      | 17 GPM / 12.0 psi      |
| 20 x 20                                                                                  | –                      | 20 GPM / 16.7 psi      |

**TECHNICAL DATA**

**Approvals & Listings:** UL & C-UL Listed

**Maximum Working Pressure:** 175 psi (12,1 bar)

**Discharge Coefficient:** K = 3.0 GPM/psi<sup>1/2</sup> (43,2 LPM/bar<sup>1/2</sup>)

**Pipe Thread Connection:** 1/2" NPT (15mm)

**Temperature Ratings:** 155°F/68°C or 175°F/79°C

**Finishes:** White Polyester Coated, Chrome Plated, or Natural Brass

*Always refer to the Technical Data Sheets TFP402 and TFP770 for complete description of all Listing & Approval criteria, design parameters, installation instructions, care and maintenance guidelines, and our limited warranty.*

## SPECIFICATIONS

When placing an order, indicate the full product name. Contact your local distributor for availability. Specify temperature rating and finish.

## ORDERING PROCEDURE

### TY1234 Pendant(s) LFII 3.0K - 1/2" NPT

| Temperature  | Finish           | P/N               |
|--------------|------------------|-------------------|
| 155°F (68°C) | Chrome Plated    | P/N: 51-010-9-155 |
| 155°F (68°C) | White Polyester  | P/N: 51-010-4-155 |
| 155°F (68°C) | White (RAL9010)* | P/N: 51-010-3-155 |
| 155°F (68°C) | Natural Brass    | P/N: 51-010-1-155 |
| 175°F (79°C) | White Polyester  | P/N: 51-010-4-175 |
| 175°F (79°C) | White (RAL9010)  | P/N: 51-010-3-175 |
| 175°F (79°C) | Natural Brass    | P/N: 51-010-1-175 |

\* Eastern Hemisphere sales only.

### Recessed Escutcheon

| Style    | Material | P/N               |
|----------|----------|-------------------|
| Style 20 | Brass    | P/N: 56-705-2-010 |
| Style 20 | Chrome   | P/N: 56-705-9-010 |
| Style 20 | White    | P/N: 56-705-4-010 |

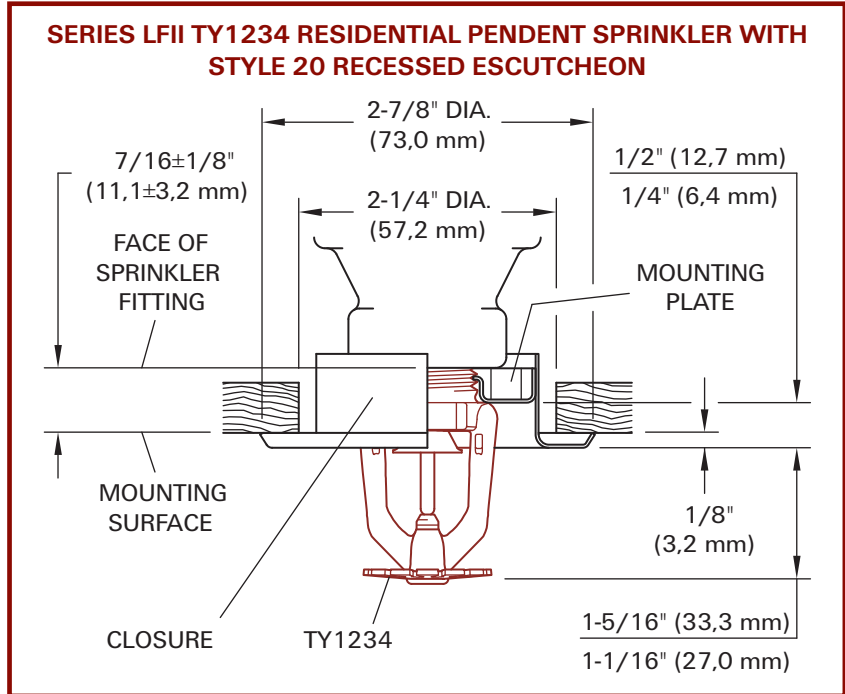
Recessed escutcheon are ordered separately. Refer to Technical Data Sheet TFP770.

### Sprinkler Wrench

W-Type 6 P/N: 56-000-6-387



W-Type 7 P/N: 56-850-4-001

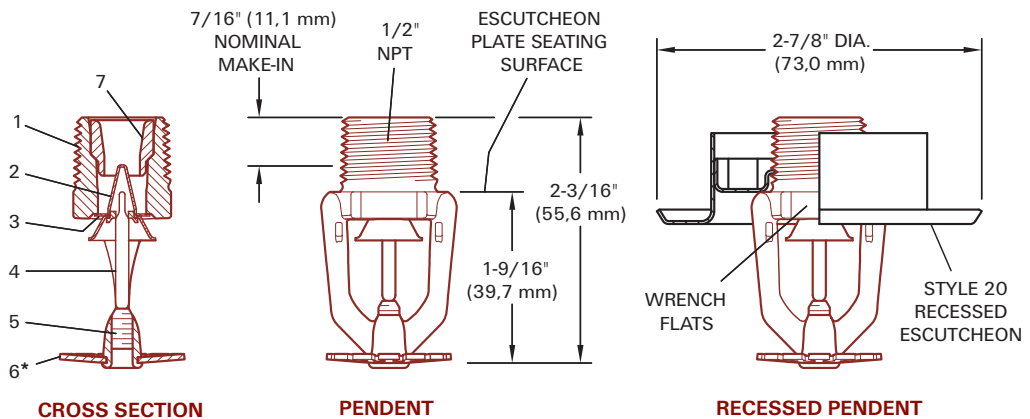


## SERIES LFII (TY1234) RESIDENTIAL PENDENT & RECESSED PENDENT SPRINKLERS

### Components:

- 1 - Frame
- 2 - Button
- 3 - Sealing Assembly
- 4 - Bulb
- 5 - Compression Screw
- 6 - Deflector \*
- 7 - Insert

\* Temperature rating is indicated on Deflector.



### Tyco Fire & Building Products

Technical Services

Phone: 800-381-9312

Fax: 800-791-5500

[www.Tyco-Fire.com](http://www.Tyco-Fire.com)



Always refer to the **Technical Data Sheets TFP402 and TFP770** for complete description of all Listing & Approval criteria, design parameters, installation instructions, care and maintenance guidelines, and our limited warranty.