

tyco

Fire & Building
Products

Features and Benefits

- *Attractive Concealed Contour*
- *Coverage = Up to 16' x 22'*
- *Lowest Flows & Pressures Period*
- *Quick Response, EC*
- *1/2" Adjustment*
- *Push On / Thread On Option*
- *12" Deflector Distance*
- *No "Slots" in Cover Plate*

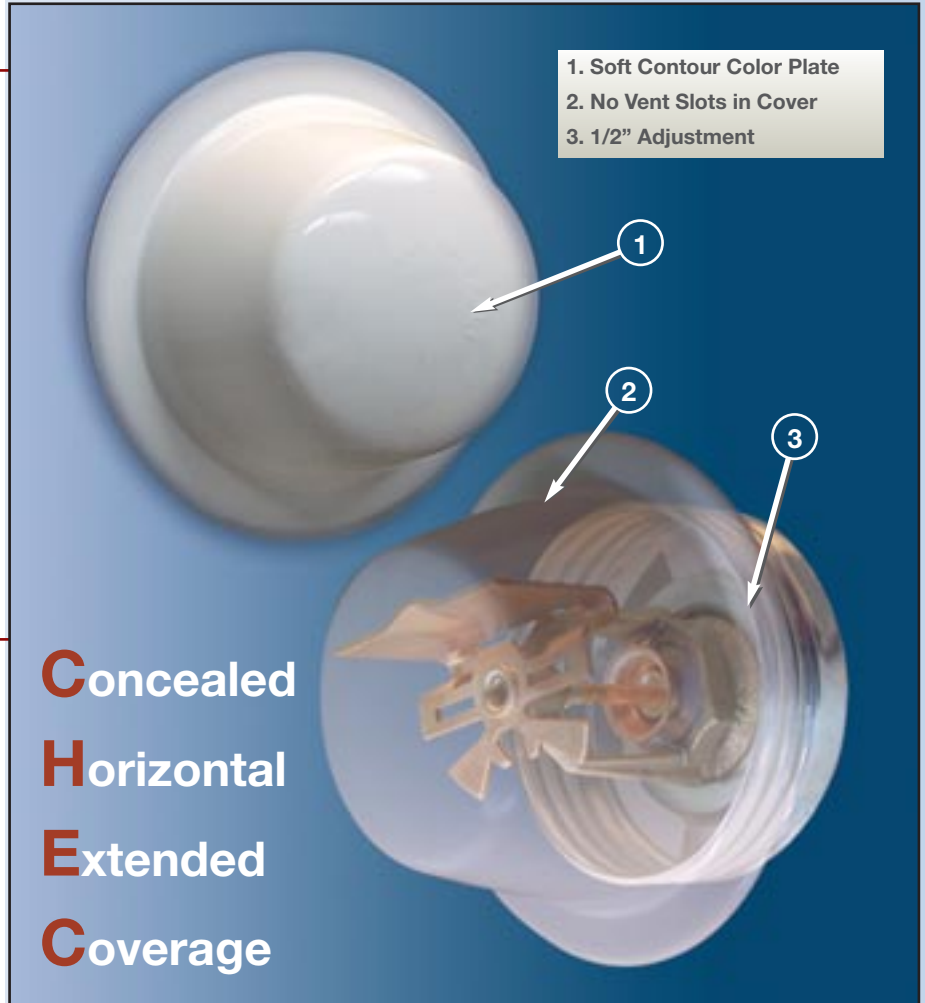
General Description

The 8.0 K-factor, Model CHEC (Concealed Horizontal Extended Coverage), Quick Response Light Hazard, Sidewall Sprinklers are decorative, 3 mm bulb type sprinklers featuring a unique cover plate designed for concealment. It is the best choice for architecturally sensitive areas such as dormitories, hotel rooms, reception areas, office buildings, banquet facilities, conference rooms, and hospitals.

The soft contour of the cover plate optimizes a low profile while blending in with surrounding surfaces. The plate has been specifically designed without vent holes to increase its aesthetic appeal while helping to avoid objects from being hung from the sprinkler (i.e., clothes hangers, etc.) that might cause an accidental operation.

Model CHEC — 8.0 K-factor

Concealed Horizontal Extended Coverage
Quick Response Light Hazard, Sidewall Sprinklers
(TFP265)



Technical Data

Sprinkler Identification Number

TY4332 - ECLH HSW, 8.0K, 3/4" NPT

Approvals

UL and C-UL Listed.

Maximum Working Pressure

175 psi (12,1 bar)

Discharge Coefficient

K = 8.0 GPM/psi^{1/2} (115,2 LPM/bar^{1/2})

Temperature Ratings

135°F/57°C Sprinkler with 135°F/57°C Cover Plate

155°F/68°C Sprinkler with 135°F/57°C Cover Plate

Adjustment

1/2 inch (12,7 mm)

Finish

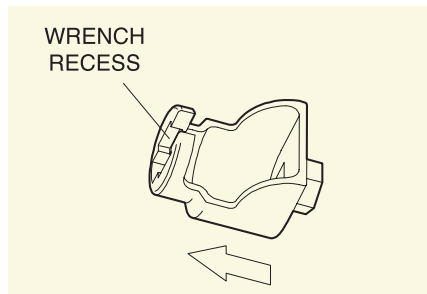
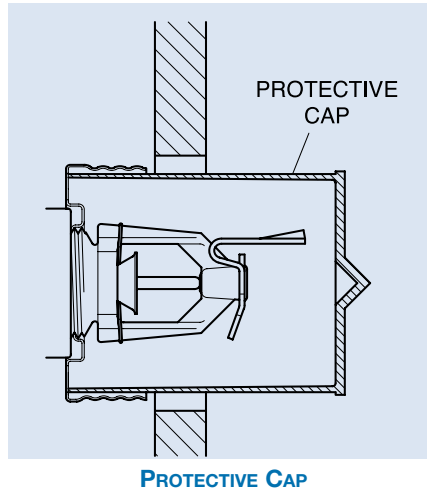
Cover Plate: Bright White or Chrome Plated. (Custom colors other than white are available on special request.)

Technical Data Sheet: TFP265

MODEL CHEC - TY4332

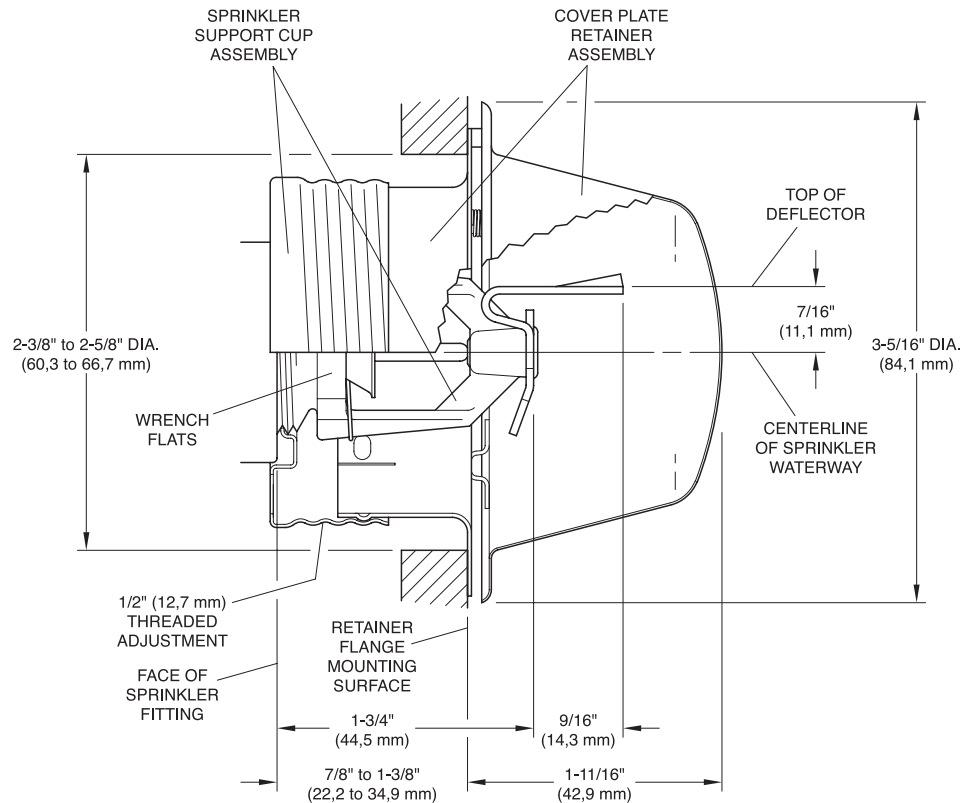
Coverage Flows and Pressure Requirements

Coverage Area, Ft. x Ft. (m x m)	Minimum Flow, GPM (LPM)	Minimum Pressure, PSI (BAR)	Competition "R" Flow & Pressures
16 x 14 (4,9 x 4,3)	26 (98)	10.6 (0,73)	29, 13.1
16 x 16 (4,9 x 4,9)	26 (98)	10.6 (0,73)	29, 13.1
16 x 18 (4,9 x 5,5)	29 (110)	13.1 (0,90)	29, 13.1
16 x 20 (4,9 x 6,1)	36 (136)	20.3 (1,40)	37, 21.4
16 x 22 (4,9 x 6,7)	36 (136)	20.3 (1,40)	37, 21.4



Push wrench in to insure engagement with sprinkler wrenching area.

W-TYPE 7 SPRINKLER WRENCH



**SIDE VIEW
INSTALLATION DIMENSIONS**

Pricing & Ordering

Number	Model	Temperature	List Price
51-396-1-135	CHEC Sidewall	135°F/57°C	\$30.00
51-396-1-155	CHEC Sidewall	135°F/68°C	\$30.00
Cover Plate (Order Separately)			
51-396-4-135	Bright White		\$18.00
51-396-9-135	Chrome		\$18.00
51-396-X-135	Custom		\$18.00
Sprinkler Wrench			
56-850-4-001	Wrench w-Type 7		\$42.00



Tyco Fire & Building Products

Technical Services

Ph: 800-791-9312

Fax: 800-791-5500

www.tyco-fire.com