

How can Peak™ Performance Attic Sprinklers Save You Money?

- ◆ DESIGNERS CAN NOW MORE EFFECTIVELY PROTECT THE ENTIRE ATTIC SPACE OFTEN USING AS LITTLE AS A SINGLE BRANCHLINE
- ◆ CAN SIGNIFICANTLY REDUCE TOTAL PIPE & FITTING REQUIREMENTS & MINIMIZE THE SYSTEM'S PIPE SIZE AND VOLUME
- ◆ IN MOST CASES, DESIGNERS NO LONGER HAVE TO INCLUDE THE 30% INCREASE IN DESIGN PENALTY
- ◆ IN MOST CASES, BLAZEMASTER® CPVC MAY NOW BE USED TO SUPPLY THE WET SYSTEM INSTEAD OF USING COSTLY COPPER AND STEEL

GENERAL DESCRIPTION

The Tyco® Peak™ Performance Model BB (Back to Back), SD (Single Directional), HIP, and AP (Attic Plus) "Specific Application Sprinklers For Protecting Attics" are fire sprinklers for combustible and non-combustible sloped attic spaces. The Model BB, SD, and HIP are Specific Application Attic Sprinklers. The Model AP, however, is a Specific Application Combustible Concealed Space Sprinkler having specific application criteria for its use with the Model BB, SD, and HIP in attic spaces.

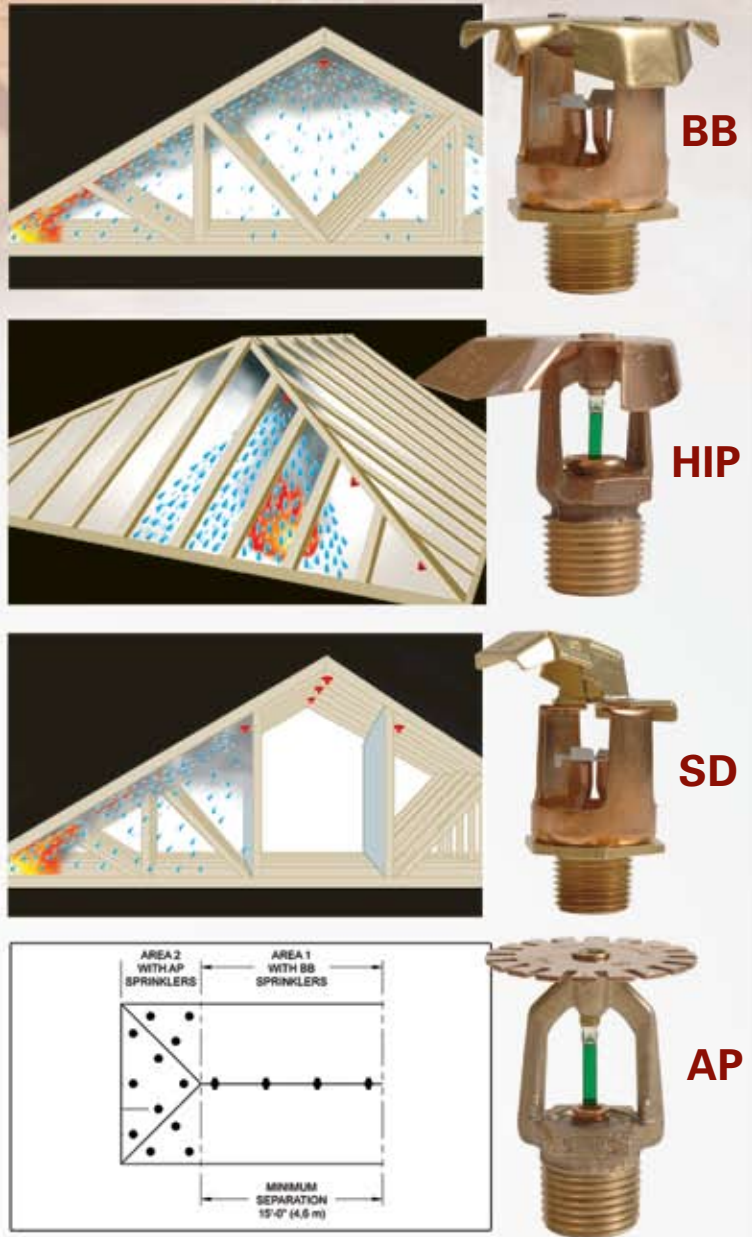
Specific Application Attic Sprinklers provide superior fire protection in attic spaces and, when compared to Standard Spray Sprinklers, cost savings are achieved by eliminating branch line materials and the associated installation labor. "The Specific Application Sprinklers For Protecting Attics" have under gone the most extensive fire testing ever performed for sloped attic spaces. They are UL Listed with their specific application guidelines for use as special sprinklers as defined by the NFPA.

ATTIC SPRINKLERS

Models BB, SD, HIP, & AP
Specific Application Sprinklers
For Protecting Attics



ATTIC PROTECTION SPRINKLER SYSTEM



Always refer to the **Technical Data Sheet TFP610** for complete description of all Listing & Approval criteria, design parameters, installation instructions, care and maintenance guidelines, and our limited warranty.

PEAK™ PERFORMANCE ATTIC SPRINKLERS

Models BB, SD, HIP, & AP
Specific Application Sprinklers For Protecting Attics

TECHNICAL DATA

SIN Numbers	Sprinkler	K-Factor
TY4180	BB1	8.0
TY4181	BB2	8.0
TY4182	BB3	8.0
TY3180	BB1	5.6
TY3181	BB2	5.6
TY3182	BB3	5.6
TY2180	BB1	4.2
TY2181	BB2	4.2
TY2182	BB3	4.2
TY3183	SD1	5.6
TY3184	SD2	5.6
TY3185	SD3	5.6
TY3187	HIP	5.6
TY3190	AP	5.6
TY2190	AP	4.2

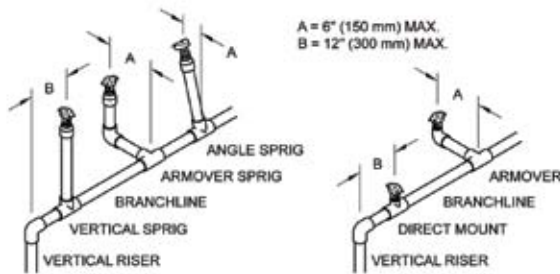
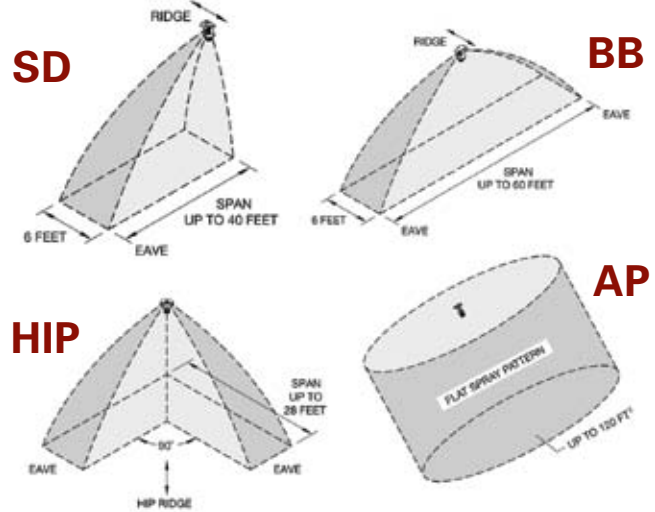
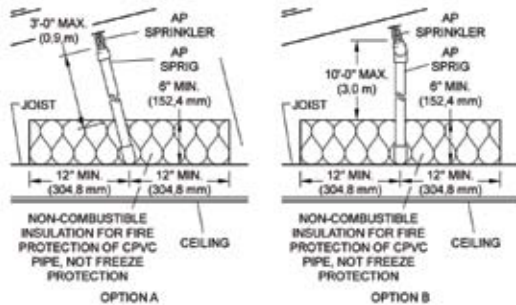
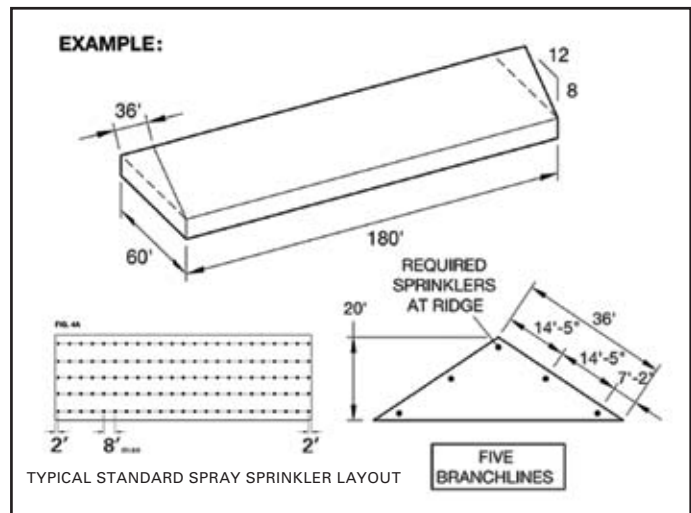


FIGURE 19
EXPOSED CPVC WITH BB, SD, AND HIP SPRINKLERS



EXPOSED CPVC
WITH AP SPRINKLERS
AND
BRANCHLINE OVER JOISTS



TYPICAL STANDARD SPRAY SPRINKLER LAYOUT



ATTIC SPRINKLER LAYOUT

Tyco Fire & Building Products
Technical Services
Phone: 800-381-9312
Fax: 800-791-5500
www.Tyco-Fire.com

PEAK
PERFORMANCE
ATTIC PROTECTION SPRINKLER SYSTEM

tyco / Fire & Building Products

Always refer to the **Technical Data Sheet TFP610** for complete description of all Listing & Approval criteria, design parameters, installation instructions, care and maintenance guidelines, and our limited warranty.