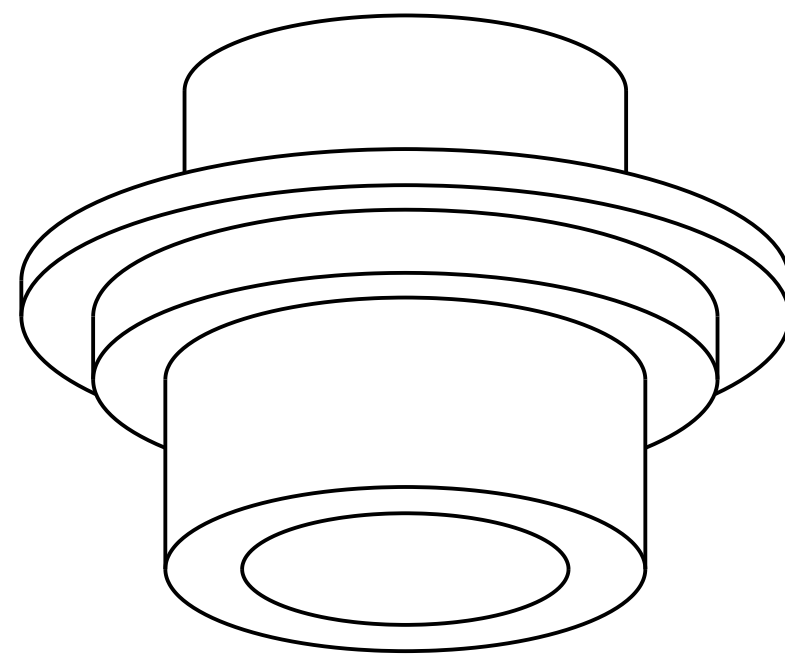
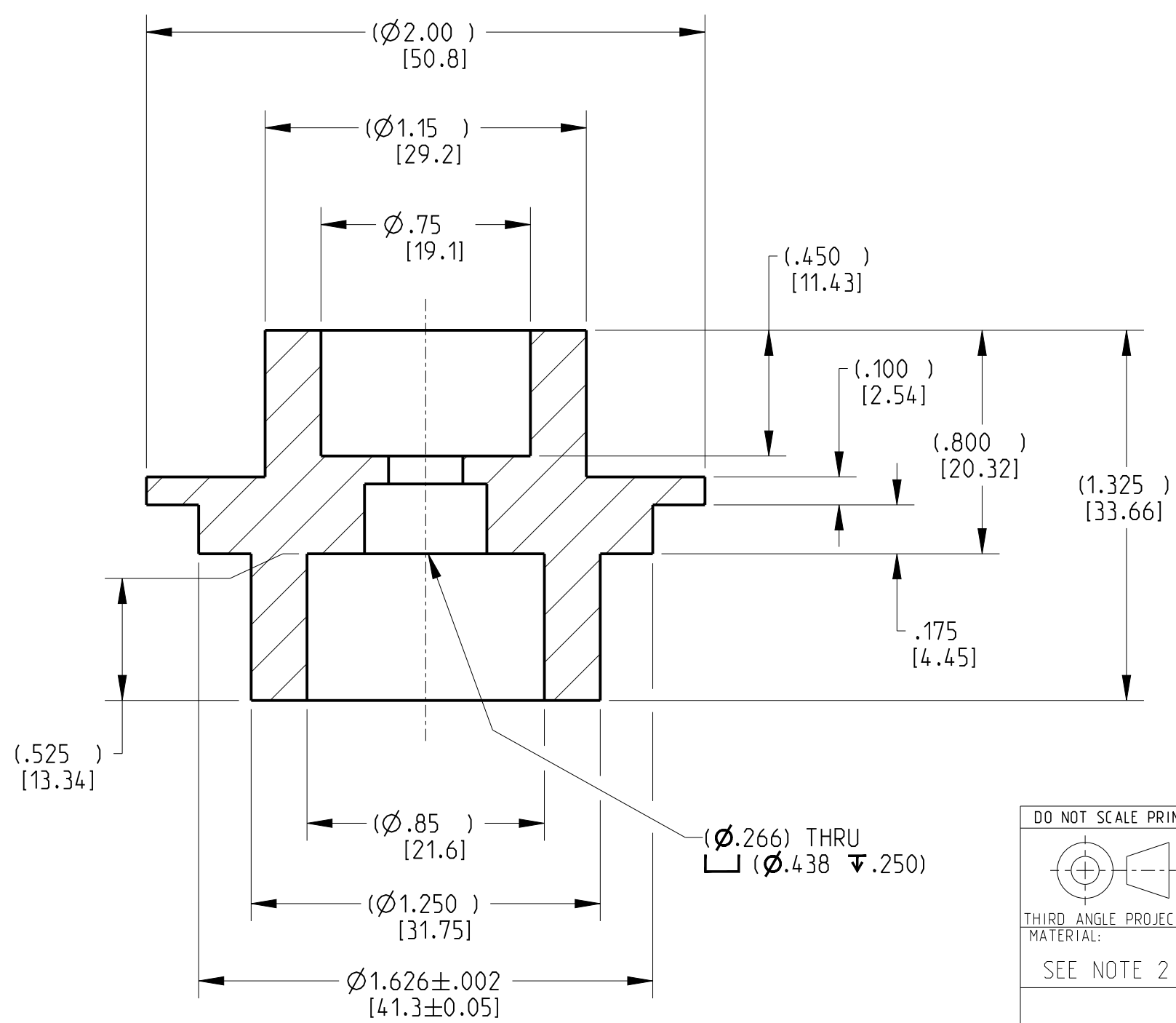


B

A



B

A

- NOTES:
1. QTY REQUIRED PER ASSEMBLY - 1.
 2. MATERIAL: BRASS
 3. REMOVE ALL SHARP EDGES AND DEBURR ALL HOLES.

DO NOT SCALE PRINT				tyco RESEARCH AND DEVELOPMENT CENTER 1467 ELMWOOD AVENUE CRANSTON, RI 02910 Fire Protection Products	
THIRD ANGLE PROJECTION					
MATERIAL:		SEE NOTE 2		FINISH/TREATMENT:	
DATE:		WEIGHT:		MODEL/DESCRIPTION RAPID INSTALL SPRINKLER WELDING CONE	
08FEB21		0.444 lb			
USED IN		SHEET		SCALE	
		1 OF 1		2:1	
				SIZE	
				B	
NOTICE: TYCO FIRE PROTECTION PRODUCTS CONFIDENTIAL. THIS SHEET CONTAINS CONFIDENTIAL, PROPRIETARY INFORMATION OF TFPP. ANY PERSON ACCEPTING THIS SHEET AND/OR INFORMATION AGREES TO MAKE NO DISCLOSURE, USE OR DUPLICATION THEREOF EXCEPT AS AUTHORIZED IN WRITING BY TYCO FIRE PROTECTION PRODUCTS AND TO RETURN THIS SHEET ON REQUEST. COPYRIGHT © TFPP. ALL RIGHTS RESERVED.					
					PROPRIETARY REV 4 - CREO