



ESFR Rapid Install Sprinkler



Features and benefits:

- No tools – reduce time working overhead
- No overtorquing
- Robust seal using Rapid Seal technology
- Two model options available with custom welded outlet fitting: ESFR-25 and ESFR-22
- Welded outlet nose cone fixture for fabrication
- cULus Listed, FM Approved

Install sprinklers faster than ever – leaving tools, tape and overtorquing behind

At a glance

Tyco® ESFR-25 and ESFR-22 (Early Suppression, Fast Response) Rapid Install Sprinklers with welded outlet fitting help you install sprinklers faster than ever with simple tool-free hand tightening. cULus Listed and FM Approved, the Rapid Install Sprinkler (RIS) design uses proprietary Tyco Rapid Seal technology to form a robust seal. The Rapid Install Sprinkler features a pre-installed rubber gasket for quick and easy installation. The gasket housed within the sprinkler eliminates the need to apply sealant to the sprinkler threads and reduces the effort necessary to complete installation.

The ESFR-25 Pendant RIS features a 25.2 K-Factor, while the ESFR-22 Pendant RIS features a 22.4 K-Factor. These suppression-mode sprinklers are especially advantageous as a means of eliminating the use of the in-rack sprinkler system when protecting high-pile storage. Storage protection applications include cartoned, unexpanded plastics, and uncartoned (exposed) expanded plastics in accordance with the NFPA 13 standard and FM Global standards.



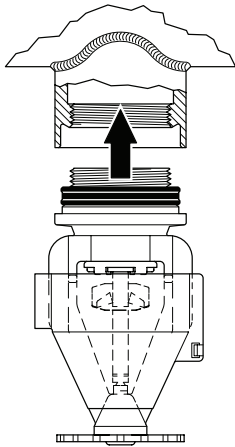
Learn more at www.tyco-fire.com

The power behind **your mission**





Rapid Install Sprinkler



Installation

Note: The ESFR-25/ESFR-22 RIS must be installed only in custom RIS fittings and cannot be installed in standard fittings featuring NPT or ISO tapered threads. Keep protector cap on until installation is complete.

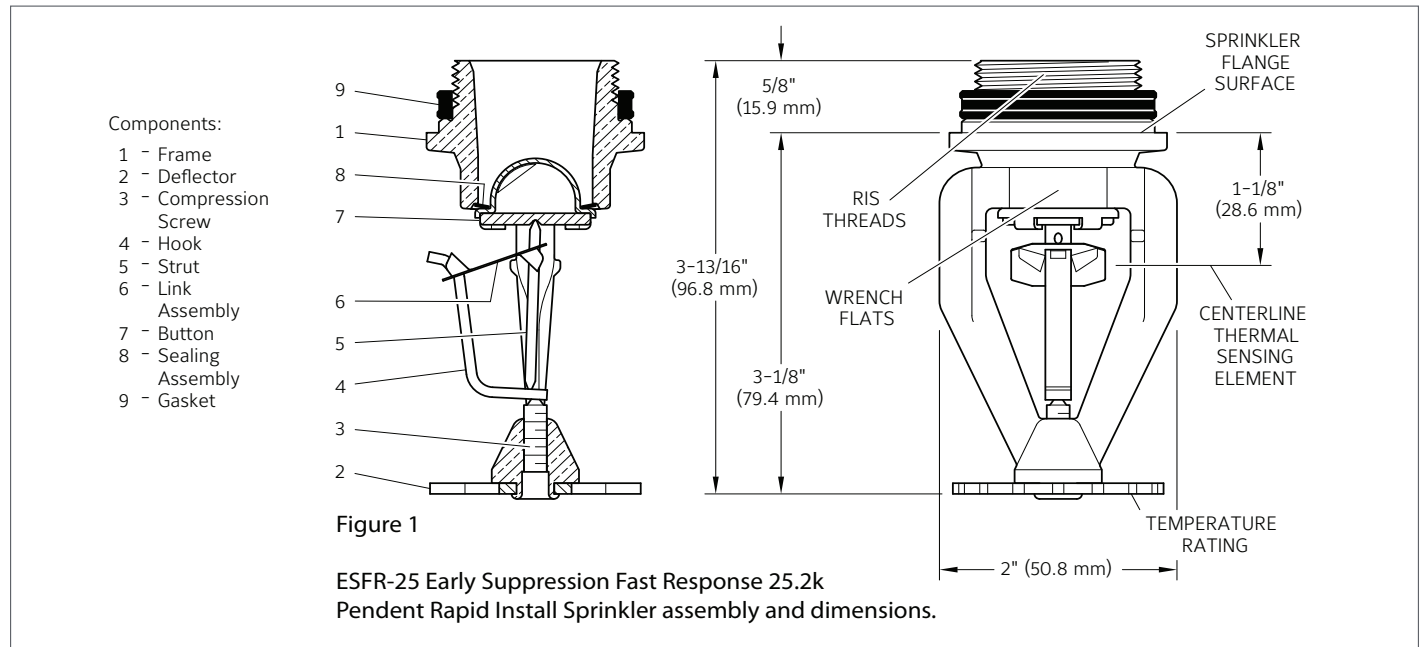
Step 1. Thread the ESFR-25/ESFR-22 RIS by hand into the RIS fitting until the RIS gasket makes initial contact.

Step 2. Continue to rotate the ESFR-25/ESFR-22 RIS by hand a minimum of half a turn to fully seat the sprinkler within the outlet. Adjust the sprinkler within this range to align the frame arms to the branch line.

ESFR Rapid Install Sprinklers

25.2 K-Factor, Early Suppression, Fast Response (TY9220)

22.4 K-Factor, Early Suppression, Fast Response (TY8220)



Customer Service:
Tel: 800.558.5236 • Email: CustServOrders@jci.com
Technical Service:
Tel: 800.381.9312 • Email: TechServ@jci.com

Always refer to the Technical Data Sheets (TFP328 and TFP327) for a complete description of all listing criteria, design parameters, installation instructions, care and maintenance guidelines, and our limited warranty.

www.tyco-fire.com

© 2021 Johnson Controls. All rights reserved. FS2109002

The power behind your mission

