

OS&Y GATE VALVES

Resilient Seated Gate Valves

// Ductile iron wedge gate, fully encapsulated with EPDM rubber

// Fusion bonded polyester resin coating inside and out

// Designed for lifetime corrosion and operating protection



Features & Benefits:

- // Lightweight ductile iron body and bonnet
- // Lower operating torque, designed for a higher life cycle
- // Replaceable or repairable stem seals
- // Multiple configurations and operation modes

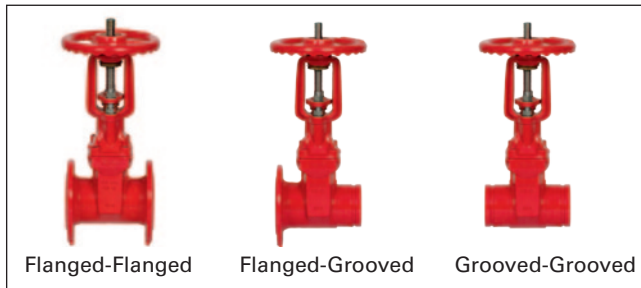
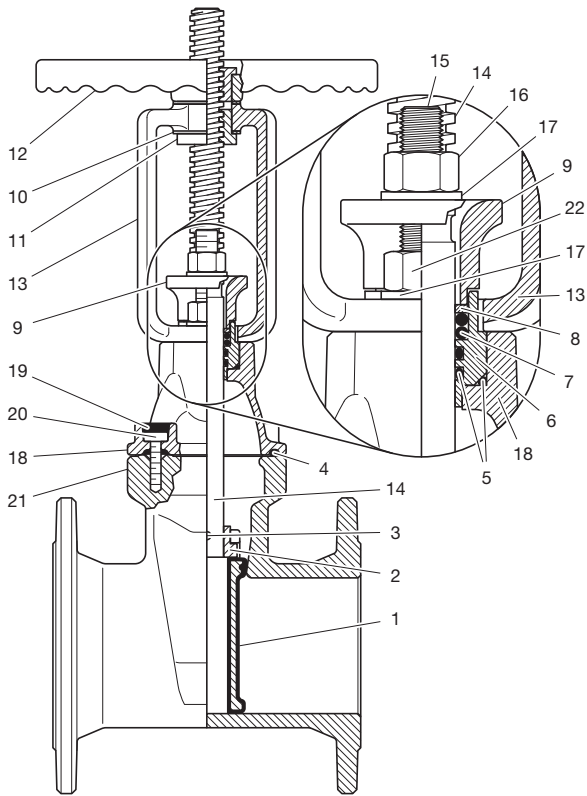
Used in fire protection systems for on/off operation, Tyco Resilient Seated Gate Valves incorporate high strength stainless steel stems, dezincification resistant copper alloy components, high-grade elastomers and quality coating systems. The lightweight ductile iron body weighs less than conventional cast iron valves, which allows for easier handling on site and reduces shipping costs. A fully encapsulated EPDM ductile iron wedge is intended to achieve bubble-tight sealing. Components that are not designed to be inherently corrosion resistant are coated with a thermally applied fusion-bonded epoxy.

The gate sealing design combines wedge and compression mechanisms to achieve low torque, drop tight sealing.

The stem seal arrangement incorporates five separate O-rings designed to provide a lifetime seal. Available end connections include flange-by-flange, flange-by-groove and groove-by-groove configurations. In addition, the Tyco OS&Y Gate Valve incorporates a unique design feature that provides a backup sealing device for the O-ring stem. This can be activated with the valve under full working pressure in the unlikely event of future leakage past the primary seals.

The FM Approved and UL Listed valve conforms to other international standards including: BS 5163, EN 1074, EN1171 and ISO 7259. OS&Y gate valve sizes range from 2 to 12 inches (DN50 – DN300) with a maximum operating pressure of UL-300 psi (20,87 bar) and FM-232 psi (16 bar).

PRODUCT SPECIFICATIONS



#	Description	Material
1	Wedge	EPDM Coated Ductile Iron
2	Wedge Nut	Cold Forged Copper Alloy
3	Stem Pin	Stainless Steel AISI 420
4	Sealing Gasket	EPDM-70
5	Sealing O Rings	NBR
6	Stem Guide	Copper Alloy
7	Stem O Rings	NBR
8	Compression Washer	Stainless Steel AISI 420
9	Top Gland	FBP Coated Ductile Iron
10	Fixing Washers	Copper Alloy
11	Top Nut	Copper Alloy
12	Hand Wheel	FBP Coated Ductile Iron
13	Yoke	FBP Coated Ductile Iron
14	Stem	Stainless Steel AISI 420
15	Gland Stud	Zinc Coated Mild Steel
16	Gland Nut	Zinc Coated Mild Steel
17	Gland Washers	Zinc Coated Mild Steel
18	Bonnet Casting	FBP Coated Ductile Iron
19	Screw Grouting	Activated Resin (removable)
20	Bonnet Screws	Black Oxide Finished Carbon steel
21	Body Casting	FBP Coated Ductile Iron

Valve Size Inches (DN)		2 (50)	2-1/2 (65)	3 (80)	4 (100)	6 (150)	8 (200)	10 (250)	12 (300)
Face to face (L) Inches (mm)		7.00 (178)	7.50 (190)	8.00 (203)	9.00 (229)	10.50 (267)	11.50 (292)	13.00 (330)	14.00 (356)
Centre Height Open (CL1) Inches (mm)		15.55 (395)	16.14 (410)	18.9 (480)	22.56 (573)	29.53 (750)	37.64 (956)	46.25 (1175)	51.89 (1318)
Centre Height Closed (CL2) Inches (mm)		13.07 (332)	13.31 (338)	14.96 (380)	17.72 (450)	23.31 (592)	29.45 (748)	34.96 (888)	39.57 (1005)
Grooved version OD Inches (mm)	OD1	2.375 (60.3)	2.875 (73.0)	3.500 (88.9)	4.500 (114.3)	6.500 (165,1)	8.625 (219.1)	10.750 (273.0)	12.750 (323.9)
	OD2	2.375 (60.3)	3.000 (76.1)	3.500 (88.9)	4.500 (114.3)	6.625 (168,3)	8.625 (219.1)	10.750 (273.0)	12.750 (323.9)
Weight Lbs. (Kg)	FL-FL	29.8 (13.5)	35.3 (16)	41.9 (19)	57.3 (26)	97.0 (44)	154.4 (70)	264.6 (120)	330.8 (150)
	FL-GR	27.6 (12.5)	30.9 (14)	36.4 (16.5)	50.7 (23)	88.2 (40)	143.2 (65)	242.6 (110)	297.7 (135)
	GR-GR	25.4 (11.5)	26.5 (12)	30.9 (14)	44.1 (20)	79.4 (36)	110.3 (50)	220.5 (100)	275.6 (125)

Always refer to the Technical Data Sheet TFP1540 for complete description of all Listing criteria, design parameters, installation instructions, care and maintenance guidelines, and our limited warranty.

Tyco Fire Protection Products
www.tyco-fire.com

Technical Services - Phone: 800-381-9312
Fax: 800-791-5500

All brand names, product names or trademarks belong to their respective owners. Tyco Fire Protection Products reserves the right to change product design and specifications without notice. Copyright © 2014 Tyco Fire Products LP. All rights reserved.

TF-2012008