

NON RISING STEM GATE VALVES AND INDICATORS

Resilient Seated Gate Valves

// Ductile iron wedge gate, fully encapsulated with EPDM rubber

// Fusion-bonded polyester resin coating inside and out

// Designed for lifetime corrosion and operating protection



Features & Benefits:

- // Lightweight ductile iron body and bonnet
- // Lower operating torque, designed for a higher life cycle
- // Replaceable or repairable stem seals
- // Multiple configurations and operation modes

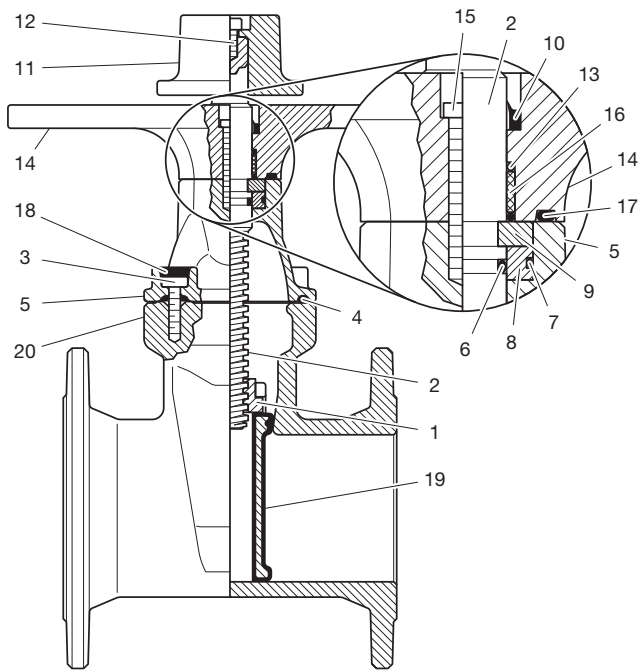
Used in fire protection systems for on/off operation, Tyco Resilient Seated Gate Valves incorporate high strength stainless steel stems, dezincification resistant copper alloy components, high-grade elastomers and quality coating systems. The lightweight ductile iron body weighs less than conventional cast iron valves, which allows for easier handling on site and reduces shipping costs. A fully encapsulated EPDM ductile iron wedge is intended to achieve bubble-tight sealing. Components that are not designed to be inherently corrosion resistant are coated with a thermally applied fusion-bonded epoxy.

The gate sealing design combines wedge and compression mechanisms to achieve low torque, drop tight sealing.

The stem seal arrangement incorporates five separate O-rings designed to provide a lifetime seal. Available end connections include flange-by-flange, flange-by-groove and groove-by-groove configurations.

The FM Approved and UL Listed valves conform to other international standards including: BS 5163, EN 1074, EN1171 and ISO 7259. Non Rising Stem Post Indicator Gate Valves require the use of an indicator post in order to operate. Valve sizes range from 4 to 12 inches (DN100 – DN300) and offer a maximum operating pressure of UL-300 psi (20,7 bar) and FM-232 psi (16 bar).

PRODUCT SPECIFICATIONS



#	Description	Material
1	Wedge Nut	Bronze
2	Stem	Stainless Steel
3	Bonnet Screw	Black Oxide Carbon Steel
4	Sealing Gasket	EPDM
5	Bonnet	FBE Coated Ductile Iron
6	Sealing O-Ring	NBR
7	Sealing O-Ring	NBR
8	Stem Ring	Stainless Steel
9	Stem Bearing	Bronze
10	Dust Guard	EPDM
11	Top Cap	FBE Coated Ductile Iron
12	Cap Screw	Black Oxide Carbon Steel
13	Sealing O-Ring	NBR
14	Indicator Flange	FBE Coated Ductile Iron
15	Indicator Top Screw	Black Oxide Carbon Steel
16	Bushing	Nylon
17	Sealing O-Ring	NBR
18	Screw Grouting	Activated Resin
19	Wedge	EPDM Coated Ductile Iron
20	Body	FBE Coated Ductile Iron

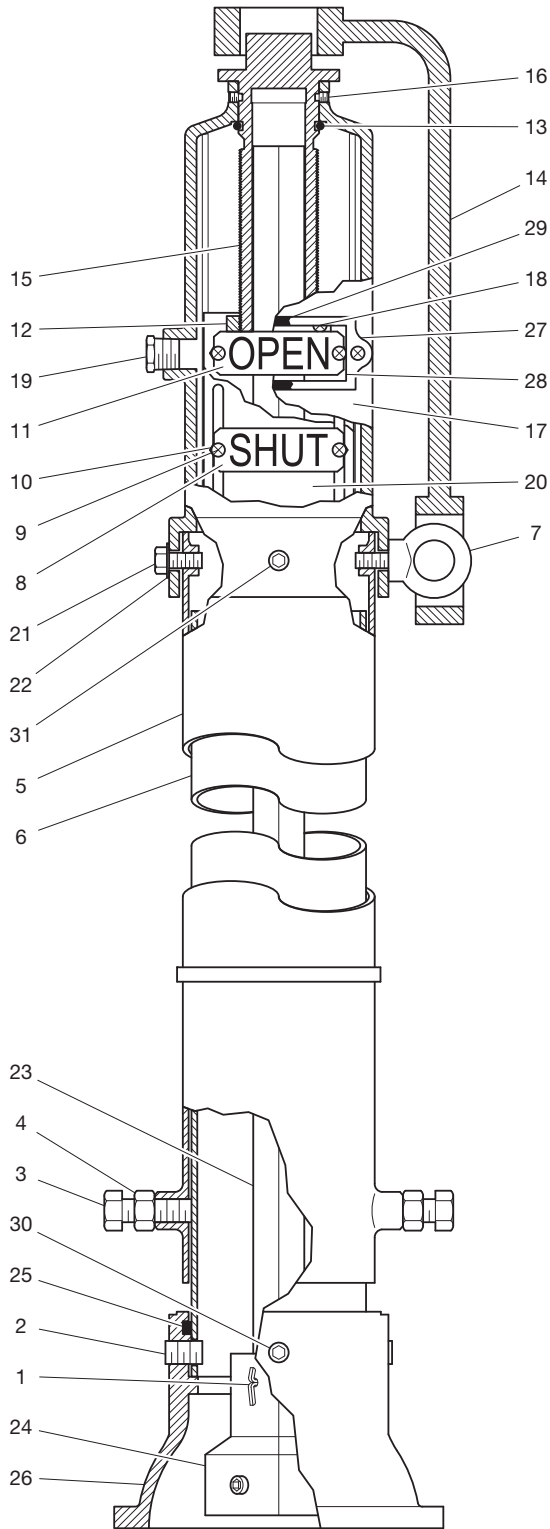


Flanged-Flanged

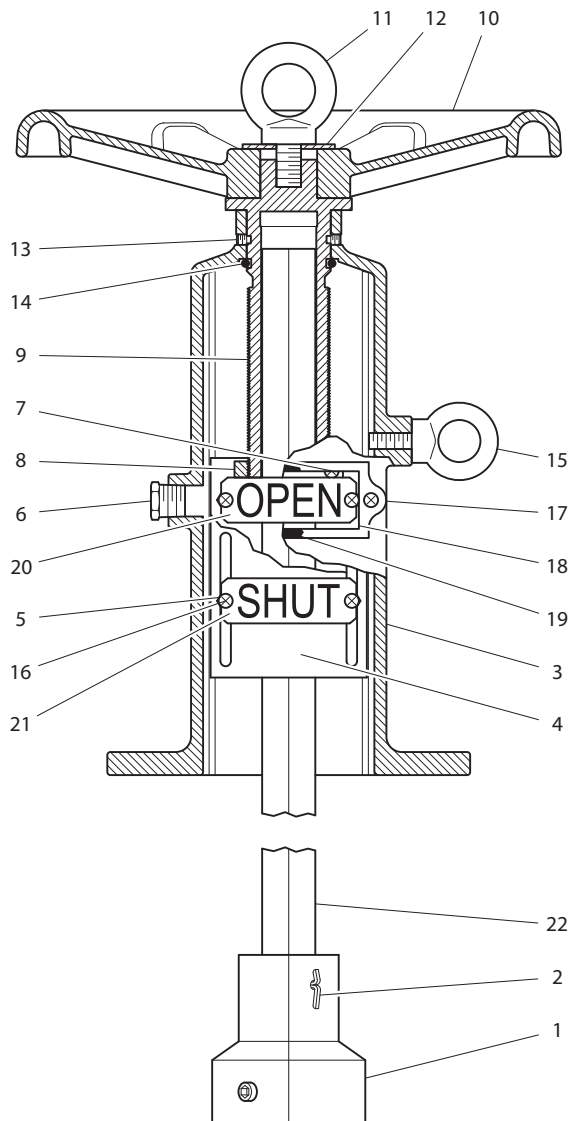
Flanged-Grooved

Grooved-Grooved

Valve Size Inches (DN)		4 (100)	6 (150)	8 (200)	10 (250)	12 (300)
Face to face (L) Inches (mm)		9.00 (229)	10.50 (267)	11.50 (292)	13.00 (330)	14.00 (356)
Centre Height (CL1) Inches (mm)		13.07 (332)	17.17 (436)	20.47 (520)	24.41 (620)	26.38 (670)
Grooved version (OD) Inches (mm)	OD type 1	4.500 (114,3)	6.500 (165,1)	8.625 (219,1)	10.750 (273,1)	12.750 (323,9)
	OD type 2	4.500 (114,3)	6.625 (168.3)	8.625 (219,1)	10.750 (273,1)	12.750 (323,9)
Weight Lbs. (Kg)	Flanged-Flanged	70.5 (32)	103.6 (47)	169.7 (77)	240.3 (109)	295.4 (134)
	Flanged-Grooved	55.1 (25)	83.8 (38)	134.5 (61)	202.8 (92)	262.4 (119)
	Grooved-Grooved	48.5 (22)	75.0 (34)	123.5 (56)	180.8 (82)	235.9 (107)



#	Description	Material
1	Cotter Pin	Carbon Steel
2	Screw Pin M16	Zinc Coated Carbon Steel
3	Hex Cap Screw M16	Zinc Coated Carbon Steel
4	Hex Nut M16	Zinc Coated Carbon Steel
5	Upper Pipe	FBP Coated Carbon Iron
6	Lower Pipe	FBP Coated Carbon Iron
7	Eye Bolt M12	Zinc Coated Carbon Steel
8	Target "SHUT"	Aluminum
9	Screw M6	Zinc Coated Carbon Steel
10	Hex Nut M6	Zinc Coated Carbon Steel
11	Target "OPEN"	Aluminum
12	Stem Nut	Bronze
13	O Ring	NBR
14	Wench 1/2	FPB Coated Ductile Iron
15	Operating Stem	Bronze
16	Hex Socket Set Screw	Stainless Steel
17	Post Cap	FBP Coated Ductile Iron
18	Screw M6	Zinc Coated Carbon Steel
19	Pipe Plug 1/2" NPT	Zinc Coated Carbon Steel
20	Carrier Plate	Carbon Steel
21	Hex Cap Screw M12	Zinc Coated Carbon Steel
22	Flat Washer 12	Zinc Coated Carbon Steel
23	Extension Rod	FBP Coated Carbon Steel
24	Connect Cap	FBP Coated Ductile Iron
25	O Ring	NBR
26	Bottom Flange	FBP Coated Ductile Iron
27	Ferrule	Zinc Coated Carbon Steel
28	Window	Plastic
29	Gasket	NBR
30	Hex Socket Set Screw	Stainless Steel
31	Hex Socket Set Screw	Stainless Steel



#	Description	Material
1	Connect Cap	FBE Coated Ductile Iron
2	Cotter Pin	Carbon Steel
3	Post Body	FBE Coated Ductile Iron
4	Carrier Plate	Carbon Steel
5	Hex Nut M6	Zinc Coated Carbon Steel
6	Pipe Plug 1/2" NPT	Zinc Coated Carbon Steel
7	Screw M6	Zinc Coated Carbon Steel
8	Stem Nut	Bronze
9	Operating Stem	Bronze
10	Handwheel	FBE Coated Ductile Iron
11	Eye Bolt M16	Zinc Coated Carbon Steel
12	Flat Washer 16	Zinc Coated Carbon Steel
13	Hex Socket Set Screw	Stainless Steel
14	O-Ring	NBR
15	Eye Bolt M12	Zinc Coated Carbon Steel
16	Screw M6	Carbon Steel
17	Ferrule	Carbon Steel
18	Window	Plastic
19	Gasket	NBR
20	Target "OPEN"	Aluminum
21	Target "SHUT"	Aluminum
22	Extension Rod	FBE Coated Carbon Steel

Always refer to the Technical Data Sheet TFP1545 for complete description of all Listing criteria, design parameters, installation instructions, care and maintenance guidelines, and our limited warranty.

Tyco Fire Protection Products
www.tyco-fire.com

Technical Services - Phone: 800-381-9312
 Fax: 800-791-5500

All brand names, product names or trademarks belong to their respective owners. Tyco Fire Protection Products reserves the right to change product design and specifications without notice. Copyright © 2014 Tyco Fire Products LP. All rights reserved.

TFP-2014007