

MODEL DPV-1 DRY PIPE VALVE

External Resetting, 2-1/2 thru 6 inch, 250 psi

FEATURES & BENEFITS

- ◆ **External Reset**
- ◆ **250 psi (17.2 bar) Pressure Rating**
- ◆ **Unique Offset Single Clapper Design Enabling a Simple Compact Valve**
- ◆ **Ductile Iron Construction to Ensure a Lightweight Valve**
- ◆ **Simple Reset Procedure**
- ◆ **No Priming Water Required**
- ◆ **Compact, Semi-preassembled and Fully Assembled, and Easy to Operate Valve Trim**

AVAILABLE FULLY PRE-TRIMMED.

GENERAL DESCRIPTION

The Model DPV-1 Dry Pipe Valves are differential valves used to automatically control the flow of water into a dry pipe fire protection sprinkler system upon operation of one or more automatic sprinklers. The DPV-1 also provides for actuation of fire alarms upon system operation.

Dry pipe sprinkler systems are used in unheated warehouses, parking garages, store windows, attic spaces, loading docks, and other areas exposed to freezing temperatures, where water filled pipe cannot be utilized. When set for service, the dry pipe sprinkler system is pressurized with air (or nitrogen). The loss of pressure through an operated automatic sprinkler in response to heat from a fire permits the DPV-1 Dry Pipe Valve to open and allow a flow of water into the sprinkler system piping.



AVAILABLE END CONNECTIONS AND SIZES

End Connections	Nominal Valve Sizes			
	2-1/2" (DN65)	3" (DN80)	4" (DN100)	6" (DN150)
FLANGE X FLANGE	N/A	N/A	◆ 77 lbs*	◆ 120 lbs*
FLANGE X GROOVE	N/A	N/A	◆ 67 lbs*	◆ 108 lbs*
GROOVE X GROOVE	◆ 37.5 lbs*	◆ 37.5 lbs*	◆ 57 lbs*	◆ 92 lbs*

◆ Available N/A Not Available
 * Nominal weight of valve and trim combined.

Always refer to the **Technical Data Sheet TFP1020** for complete description of all Listing criteria, design parameters, installation instructions, care and maintenance guidelines, and our limited warranty.

MODEL DPV-1

ORDERING PROCEDURE & SPECIFICATIONS

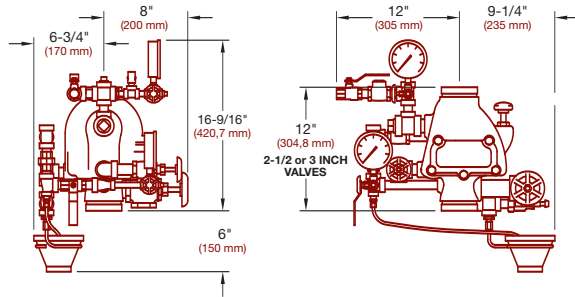
Part Numbers indicate size and inlet/outlet connections

VALVE SIZE & CONNECTIONS

2-1/2" (DN65)

Groove x Groove

P/N: 52-310-1-910



3" (DN80)

Groove x Groove

P/N: 52-310-1-912

4" (DN100)

Groove x Groove

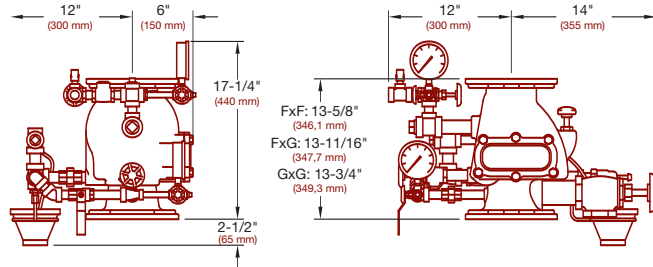
P/N: 52-310-1-913

Flange x Groove

P/N: 52-310-1-413

Flange x Flange

P/N: 52-310-1-013



6" (DN150)

Groove x Groove

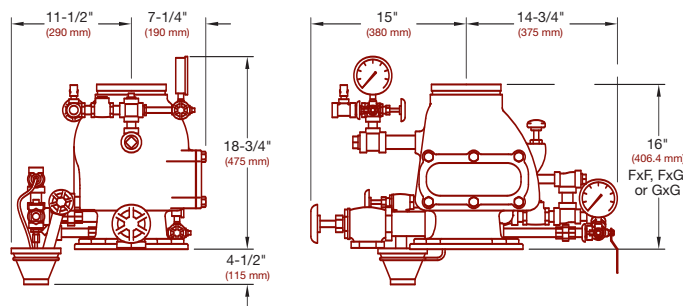
P/N: 52-310-1-915

Flange x Groove

P/N: 52-310-1-415

Flange x Flange

P/N: 52-310-1-015



WEIGHT

The following are the nominal weights for the valve and trim:

2-1/2" Model DPV-1

Groove x Groove **37.5 lbs.**

3" Model DPV-1

Groove x Groove **37.5 lbs.**

4" Model DPV-1

Groove x Groove **57 lbs.**

Flange x Groove **67 lbs.**

Flange x Flange **72 lbs.**

6" Model DPV-1

Groove x Groove **92 lbs.**

Flange x Groove **108 lbs.**

Flange x Flange **120 lbs.**

OPTIONAL ACCELERATORS

Model QRS

Electronic Accelerator

(Details provided in TFP1100)

Specify: Model QRS

Electronic Dry Pipe

Accelerator Package

P/N 52-312-2-102



Model ACC-1

Mechanical Accelerator

(Details provided in TFP1112)

Specify: Model ACC-1

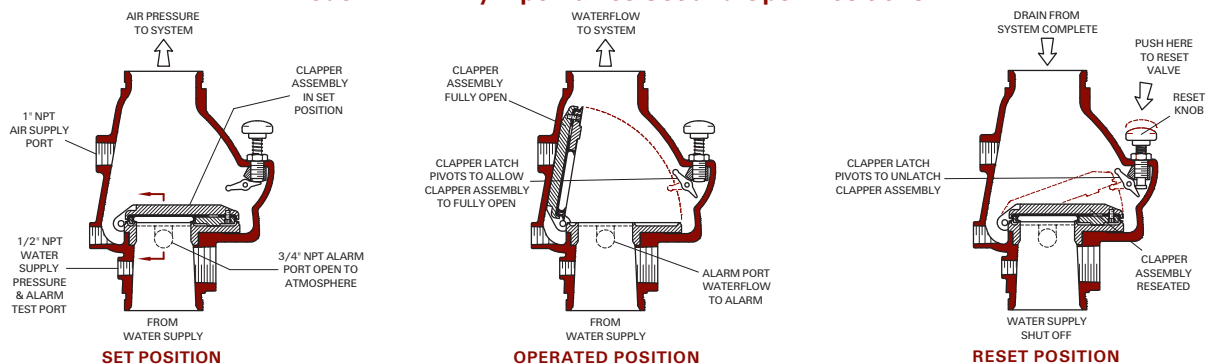
Mechanical Dry Pipe

Accelerator Package

P/N 52-311-1-001



Model DPV-1 Dry Pipe Valves Set and Open Positions



Tyco Fire & Building Products

Technical Services

Phone: 800-381-9312

Fax: 800-791-5500

www.Tyco-Fire.com



Always refer to the **Technical Data Sheet TFP1020** for complete description of all Listing criteria, design parameters, installation instructions, care and maintenance guidelines, and our limited warranty.