

DISCOVER A NEW ANGLE ON RESIDENTIAL FIRE PROTECTION

The RAPID RESPONSE Series LFII Residential Flat-Plate Concealed Pendent Sprinklers are decorative, fusible link sprinklers. These 4.9 K-factor sprinklers are designed for use in residential occupancies such as homes, apartments, dormitories, and hotels.

The 4.9 K-factor feature provides the required residential flow rates at reduced pressures. This enables for smaller pipe sizes and water supply requirements, and furthermore allows for installation in rooms with flat or sloped ceilings.

The cover plate and retainer assembly of the flat-plate concealed sprinklers, conceals all operating components above the ceiling. The sprinklers flat-plate profile and standard or custom finishes also give an aesthetically pleasing appearance.

The Series LFII Residential Flat-Plate Concealed Sprinklers are ideal for use in residential sprinkler systems per NFPA 13D, 13R, and 13.

ADDITIONAL FEATURES

- ◆ **UL and C-UL Listed up to 20' x 20' spacing including sloped ceilings**
- ◆ **Ideal for NFPA 13D, 13R, and 13 residential designs**
- ◆ **Industry-leading flows and pressures under flat or sloped ceilings**
- ◆ **Standard and custom-colored cover plates give an aesthetically pleasing appearance**
- ◆ **Backed by the industry's best 10-Year Limited Warranty**

Series LFII Residential Flat-Plate Concealed Pendent Sprinklers

4.9 K-factor
TFP443



TECHNICAL DATA

Approvals: UL and C-UL Listed

Maximum Working Pressure: 175 psi (12,1 bar)

Discharge Coefficient: $K=4.9 \text{ GPM}/\text{psi}^{1/2}$ (70,6 LPM/bar^{1/2})

Temperature Rating: 160°F/71°C Sprinkler with 139°F/59°C Cover Plate

Vertical Adjustment: 1/2 inch (12,7 mm)

Finishes: Chrome, Signal White, Pure White, Off White, Standard White, and Custom

Now with Sloped Ceiling Listings

Maximum Coverage Area	Minimum Flow and Pressure	
	Flat Ceiling (Up to 2"/12" Slope)	Sloped Ceiling (>2"/12" Up to 8"/12" Slope)
12' x 12' (3,7 m x 3,7 m)	13 GPM (49,2 LPM) 7.0 psi (0,48 bar)	17 GPM (64,3 LPM) 12.0 psi (0,83 bar)
14' x 14' (4,3 m x 4,3 m)	13 GPM (49,2 LPM) 7.0 psi (0,48 bar)	17 GPM (64,3 LPM) 12.0 psi (0,83 bar)
16' x 16' (4,9 m x 4,9 m)	13 GPM (49,2 LPM) 7.0 psi (0,48 bar)	17 GPM (64,3 LPM) 12.0 psi (0,83 bar)
18' x 18' (5,5 m x 5,5 m)	17 GPM (64,3 LPM) 12.0 psi (0,83 bar)	22 GPM (83,3 LPM) 20.2 psi (1,39 bar)
20' x 20' (6,1 m x 6,1 m)	20 GPM (75,7 LPM) 16.7 psi (1,15 bar)	24 GPM (90,8 LPM) 24.0 psi (1,65 bar)

Series LFII Residential Flat-Plate Concealed Pendent Sprinklers

ORDERING PROCEDURES

Contact your local distributor for availability. When placing an order, indicate the full product name and part numbers.



Series LFII Residential Flat-Plate Concealed Pendent Sprinkler (TY2524), K=4.9, without Cover Plate/ Retainer Assembly P/N: 51-114-1-160

Cover Plate/Retainer Assembly

Chrome P/N: 56-201-9-135

Custom P/N: 56-201-X-135



All custom cover plates are painted with Sherwin Williams Interior Latex Paint.

Off White P/N: 56-201-0-135

Pure White* (RAL 9010) P/N: 56-201-3-135

Signal White** (RAL 9003) P/N: 56-201-4-135

Standard White (Grey White) (RAL 9002) P/N: 56-201-5-135

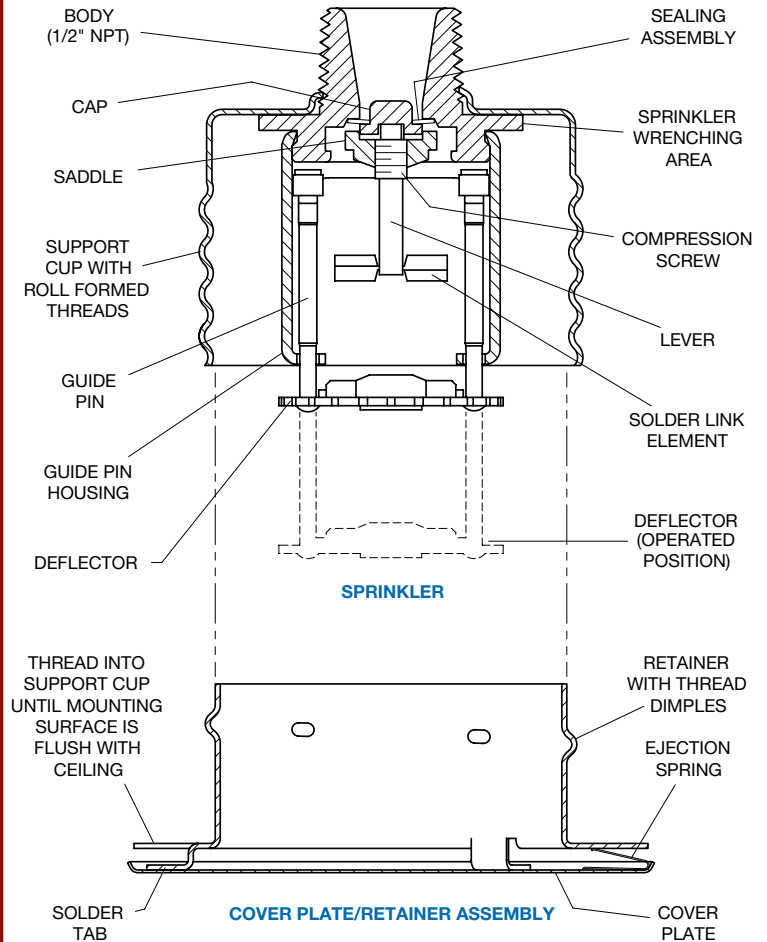
* Eastern Hemisphere sales only.
** Previously known as Bright White.

Sprinkler Wrench W-Type 18

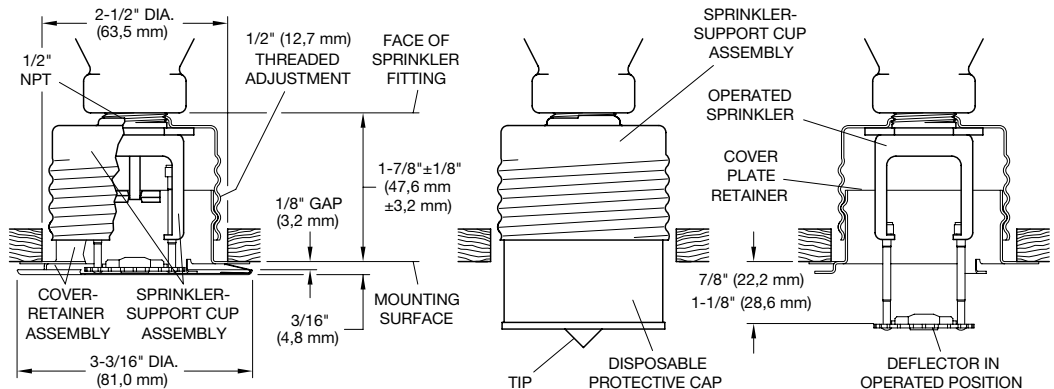


P/N: 56-000-1-265

SPRINKLER ASSEMBLY



INSTALLATION DIMENSIONS for Protective Cap and Activated Deflector



Tyco Fire Suppression & Building Products

Technical Services
Phone: 800-381-9312 Fax: 800-791-5500

www.Tyco-Fire.com

tyco
Fire Suppression
& Building Products

Refer to the **Technical Data Sheet TFP443** for complete description of all listing criteria, design parameters, installation instructions, care and maintenance guidelines, and our limited warranty.