

Sprinkler Cabinets 3, 6, & 12 Sprinklers, 1/2 or 3/4 Inch NPT 6 ESFR Sprinklers, 3/4 or 1 Inch NPT

General Description

TYCO Sprinkler Cabinets are constructed of metal enclosures with hinged covers designed to provide on-site storage of an emergency supply of sprinklers and a sprinkler wrench.

NFPA 13 requires a representative number of each type of sprinkler used in a sprinkler system to be stored in a cabinet on-site to allow for immediate removal and replacement of sprinklers that may have operated or become damaged.

Sprinkler Cabinets are manufactured of heavy gauge steel with knock-outs to accommodate NPT threaded sprinklers and are painted an attractive red enamel.

NOTICE

The Sprinkler Cabinets described herein must be installed and maintained in compliance with this document, as well as with the applicable standards of the National Fire Protection Association, in addition to the standards of any other authorities having jurisdiction. Failure to do so may impair the performance of these devices.

The owner is responsible for maintaining their fire protection system and devices in proper operating condition. Contact the installing contractor or product manufacturer with any questions.

Technical Data

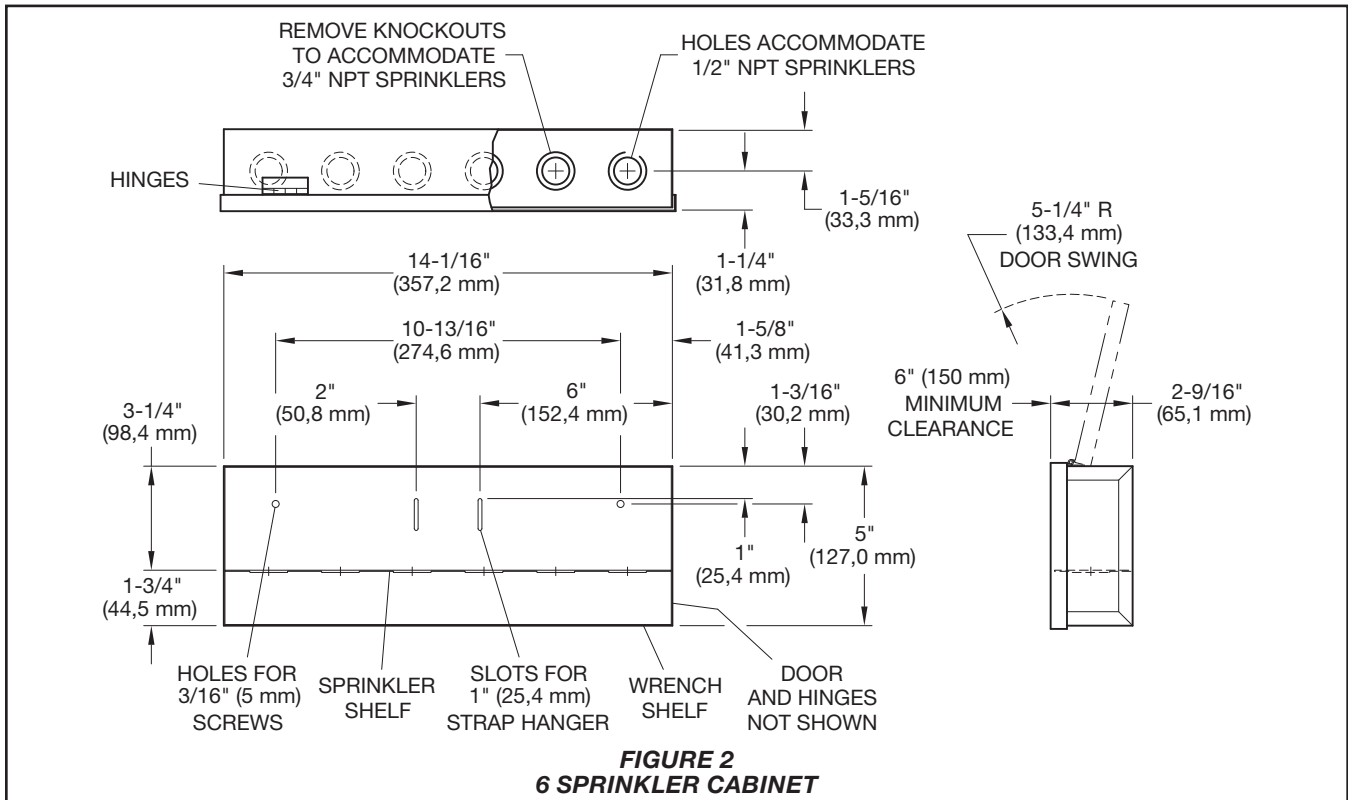
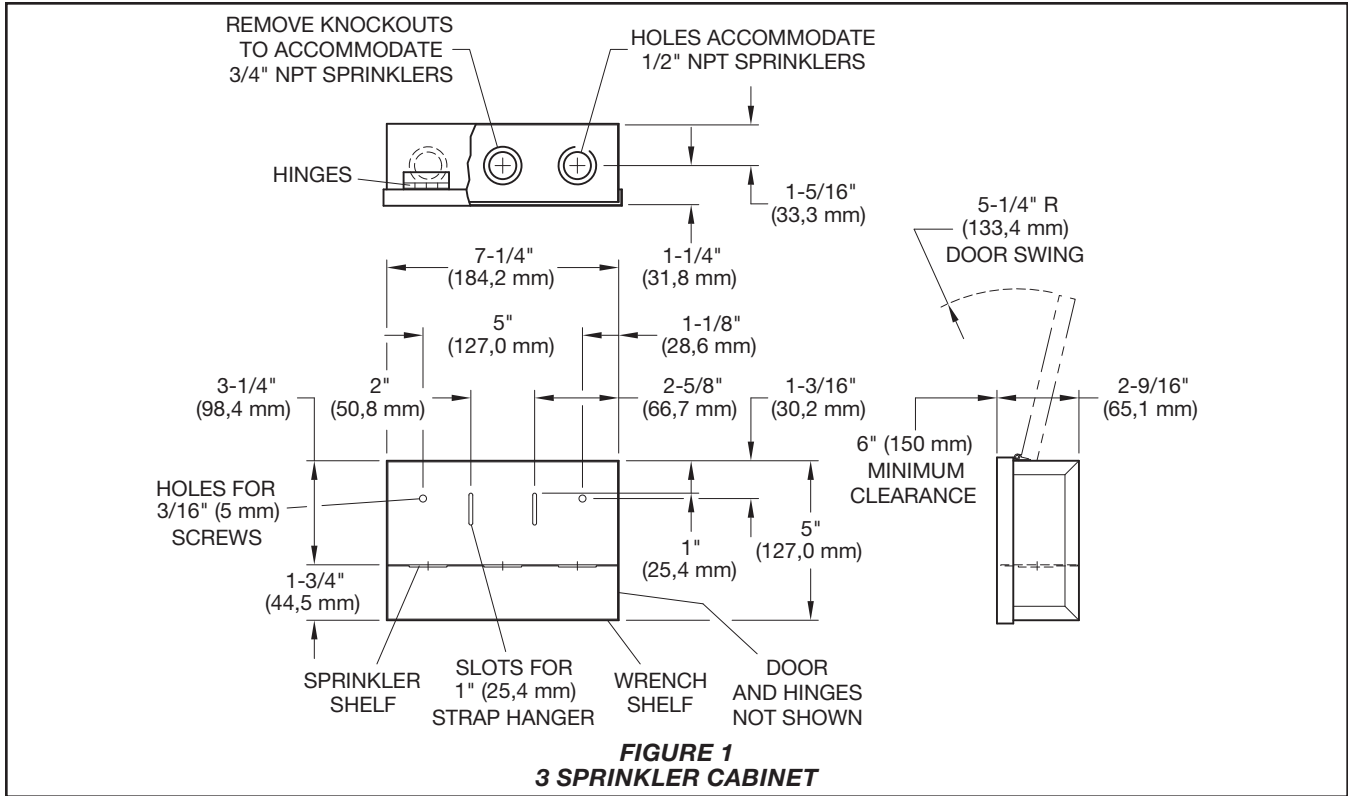
Material
Carbon Steel

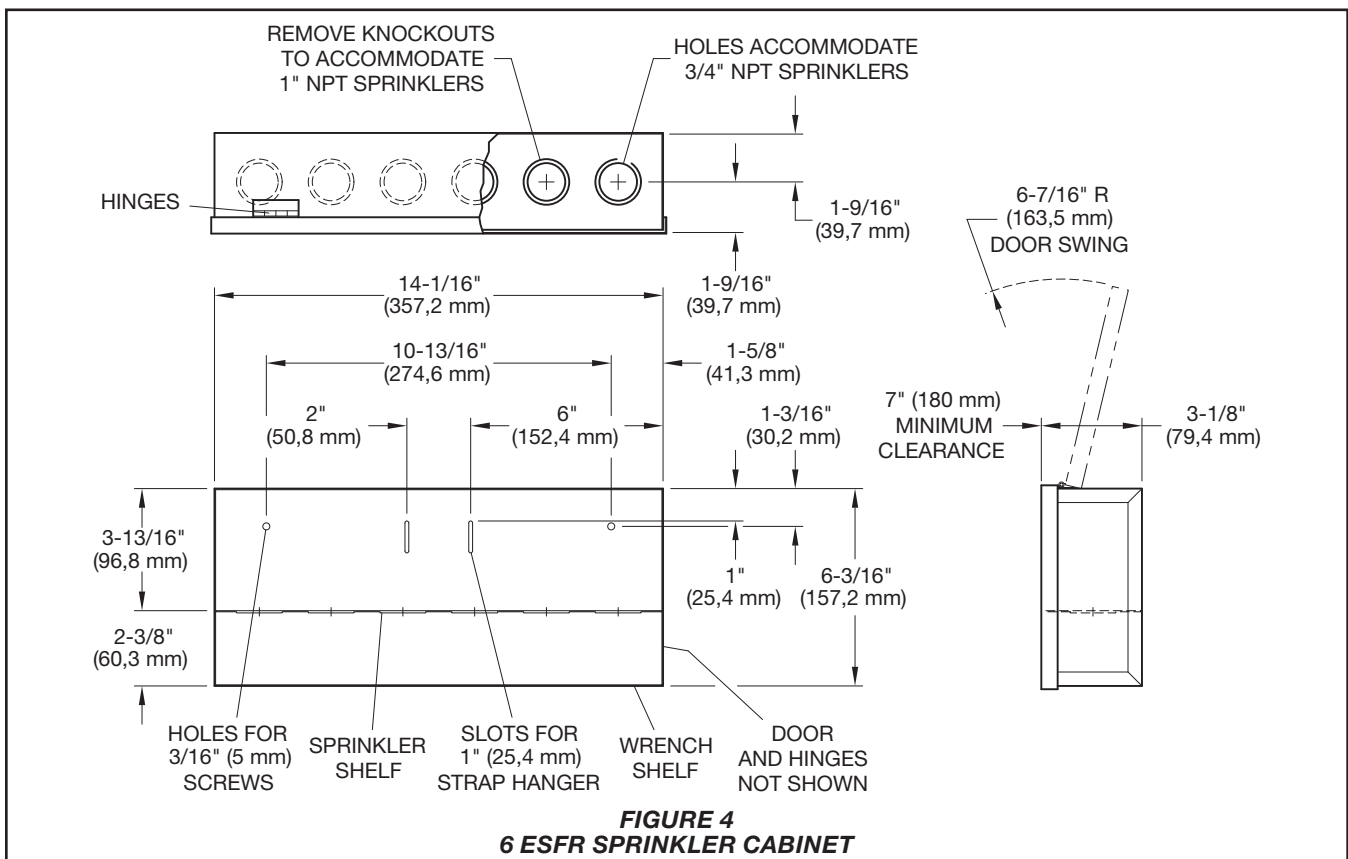
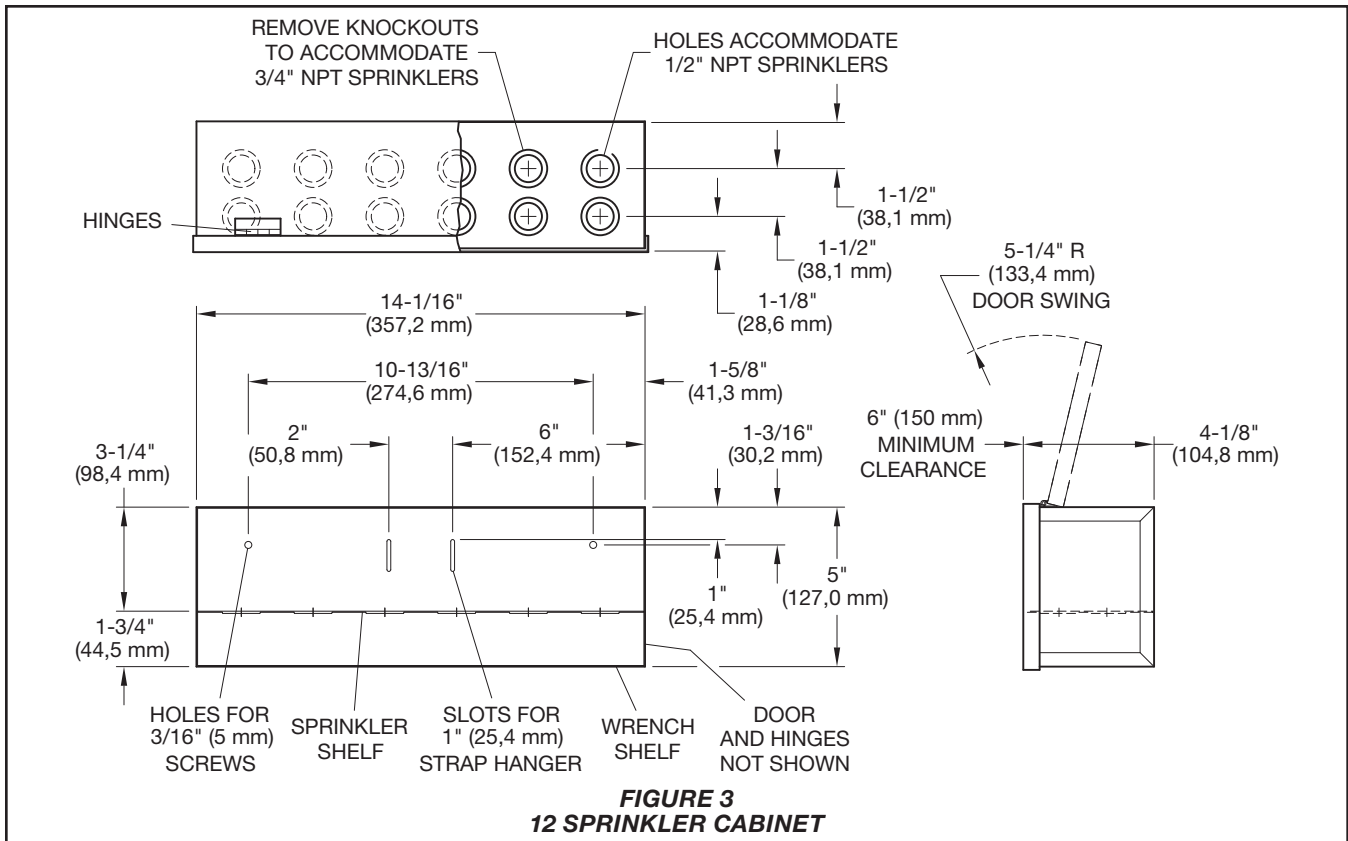
Weights
3 Sprinkler Cabinet 1.5 Lbs. (0,68 kg)
6 Sprinkler Cabinet 2.3 Lbs. (1,04 kg)
12 Sprinkler Cabinet 4.0 Lbs. (1,81 kg)
6 ESFR Sprinkler Cabinet 3.3 Lbs. (1,36 kg)

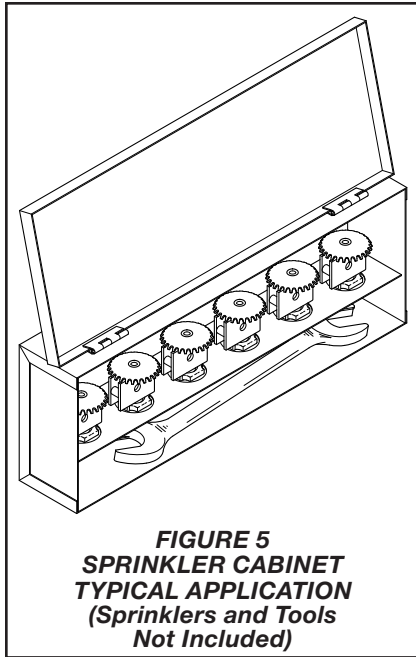


IMPORTANT

Refer to Technical Data Sheet TFP2300 for warnings pertaining to regulatory and health information.







Care and Maintenance

The Sprinkler Cabinet, wrench, and stock of spare sprinklers should be inspected at least quarterly. The following items should be checked:

- The Sprinkler Cabinet should be readily accessible, and not exposed to a corrosive atmosphere or temperatures in excess of 100°F (38°C).
- The stock of spare sprinklers should include an adequate number of each type and temperature rating.
- The stock of sprinklers must be in good condition.
- A sprinkler wrench of the appropriate type must be included in the Sprinkler Cabinet.

Limited Warranty

For warranty terms and conditions, visit www.tyco-fire.com.

Ordering Procedure

Contact your local distributor for availability. When placing an order, indicate the full product name and part number (P/N).

Sprinkler Cabinet

Specify: (Description), P/N (specify):

3 Sprinkler Cabinet	1177
6 Sprinkler Cabinet	1119
12 Sprinkler Cabinet	1124
6 ESFR Sprinkler Cabinet	1111

Installation

Sprinkler Cabinets are designed with two 3/16 Inch (4,7 mm) diameter holes for wall mounting or direct attachment to the system riser with a strap-type hanger. The Sprinkler Cabinet should be installed at or near the system control valve and must be stocked with an adequate supply of spare sprinklers and a sprinkler wrench.

The stock of spare sprinklers should include sprinklers of each type and temperature rating as are installed in the sprinkler system, in the following quantities:

The 3, 6, and 12 Sprinkler Cabinets are designed to accept both 1/2 & 3/4 Inch NPT threaded sprinklers, whereas the 6 ESFR Sprinkler Cabi-

Sprinklers In System	Spare Sprinklers Required
Under 300	6
300 - 1000	12
Over 1000	24

nets are designed to accept both 3/4 & 1 Inch NPT threaded sprinklers. As necessary, insert a screwdriver blade from the front top of the shelf and under the near bottom part of the knockout annular ring. Press the screwdriver handle down to remove the knockout ring.