

## ESFR Pendent Sprinkler Accessories

### IMPORTANT

Refer to Technical Data Sheet TFP2300 for warnings pertaining to regulatory and health information.

Always refer to Technical Data Sheet TFP700 for the "INSTALLER WARNING" that provides cautions with respect to handling and installation of sprinkler systems and components. Improper handling and installation can permanently damage a sprinkler system or its components and cause the sprinkler to fail to operate in a fire situation or cause it to operate prematurely.

Scan the QR code or enter the URL in a web browser to access the most up-to-date electronic version of this document. Data rates may apply.



<https://docs.jci.com/tycofire/esfr-pendent-sprinkler-accessories>

## General Description

The TYCO Model ES-1 and ES-2 Sprinkler Shields and Model EG-25 Sprinkler Guard are designed for use with the TYCO Model ESFR Pendent Sprinkler range. The sprinkler shield and guard assemblies are for sprinkler installation locations susceptible to mechanical or physical damage.

The sprinkler guard and shield applications are as follows:

- Pendent ESFR sprinklers located in areas not susceptible to the threat of

mechanical or physical damage can be equipped with Model ES-1 and ES-2 Sprinkler Shields for protection from water spray of higher elevation sprinklers. See Table A for sprinkler applications.

- The Model EG-25 Sprinkler Guard, shown in Figure 2, provides protection for TYCO Model ESFR-22 and ESFR-25 Pendent Sprinklers from mechanical and/or physical damage, for example, rack storage sprinkler installations.

The Models ES-1 and ES-2 Sprinkler Shields and Model EG-25 Sprinkler Guard are intended for use in fire sprinkler systems designed in accordance with the standard installation rules recognized by the applicable Listing agency.

### NOTICE

The Models ES-1 and ES-2 Sprinkler Shields and Model EG-25 Sprinkler Guard described herein must be installed and maintained in compliance with this document and with the applicable standards of the NATIONAL FIRE PROTECTION ASSOCIATION (NFPA), in addition to the standards of any Authorities Having Jurisdiction. Failure to do so may impair the performance of these devices.

Owners are responsible for maintaining their fire protection system and devices in proper operating condition. The installing contractor or sprinkler manufacturer should be contacted with any questions.

## Technical Data

**Approvals**  
FM Approved

**Finishes**  
Red painted, zinc coating and zinc chromate

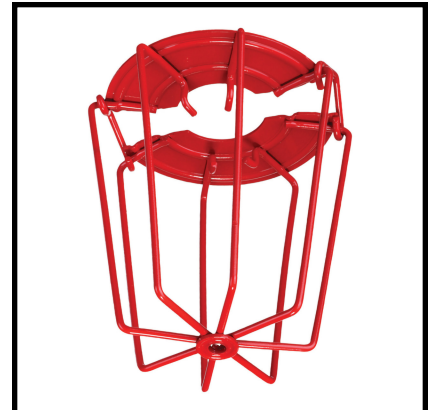
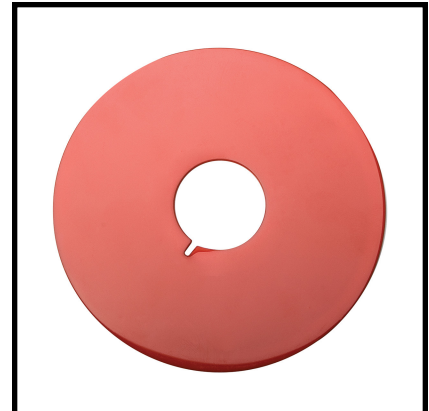
### Physical Characteristics

Models ES-1 and ES-2 Sprinkler Shields:

- Stamped and formed carbon steel sheet

Model EG-25 Sprinkler Guard:

- Welded assembly fabricated from carbon steel



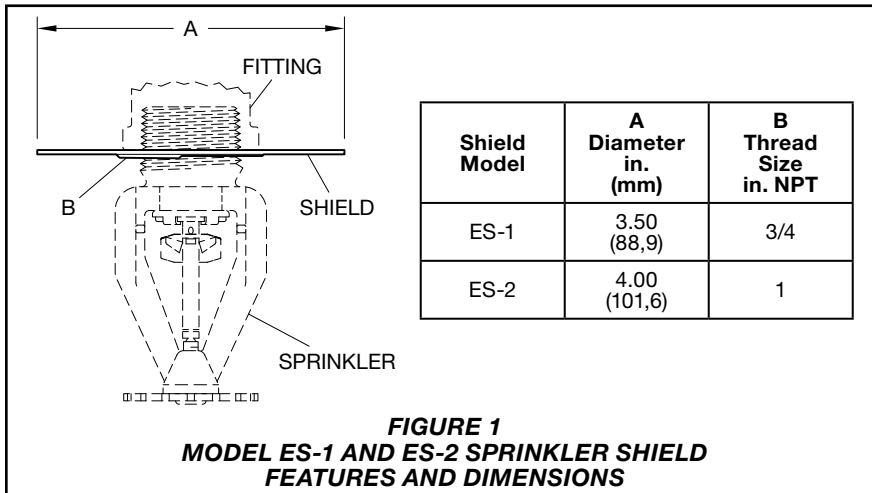
## Design Criteria

In accordance with the requirements of the NFPA, sprinkler shields and guards shall be Listed. Sprinkler shields and guards are only Listed for use with sprinklers specified in Table A.

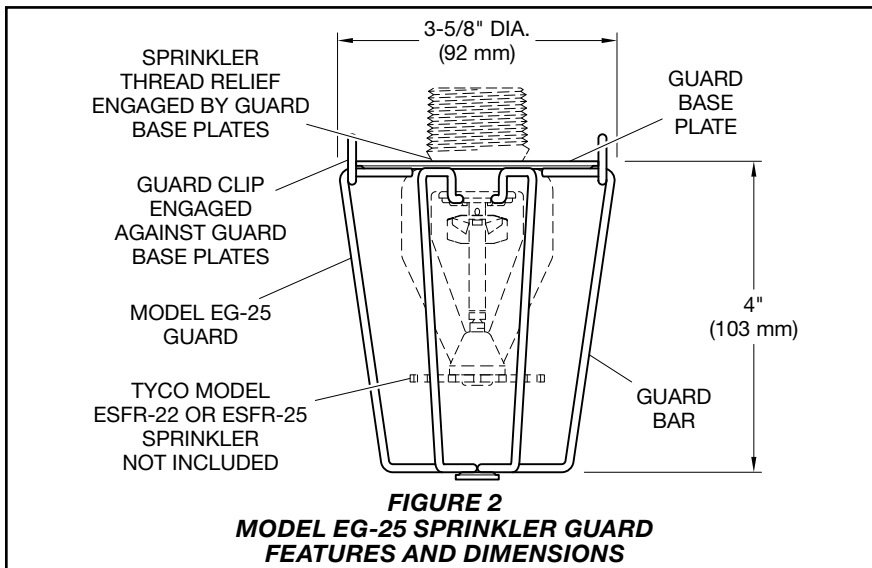
ESFR Sprinkler					Shield Model		Guard Model
Model	SIN	K-Factor gpm/psi <sup>1/2</sup> (Lpm/bar <sup>1/2</sup> )	Thread Size in. NPT	Technical Data Sheet	ES-1	ES-2	EG-25
ESFR-14	TY6236	14.0 (201,6)	3/4	TFP319	1		
ESFR-17	TY7223	16.8 (241,9)		TFP317	1		
ESFR-17	TY7236	16.8 (241,9)		TFP322	1		
ESFR-22	TY8223	22.4 (320)	1	TFP321		1	2
ESFR-25	TY9226	25.2 (362,9)		TFP312		1	1

**NOTES**  
1. FM Approved  
2. Compatible but not Listed or Approved

**TABLE A**  
**SPRINKLER SHIELD AND GUARD APPLICATIONS**  
**LABORATORY LISTINGS AND APPROVALS**



**FIGURE 1**  
**MODEL ES-1 AND ES-2 SPRINKLER SHIELD**  
**FEATURES AND DIMENSIONS**



**FIGURE 2**  
**MODEL EG-25 SPRINKLER GUARD**  
**FEATURES AND DIMENSIONS**

## Installation

The TYCO Model ES-1 and ES-2 Sprinkler Shields and Model EG-25 Sprinkler Guard must be installed onto TYCO ESFR Sprinklers in accordance with this section.

### Installing the Model ES-1 and ES-2 Sprinkler Shield

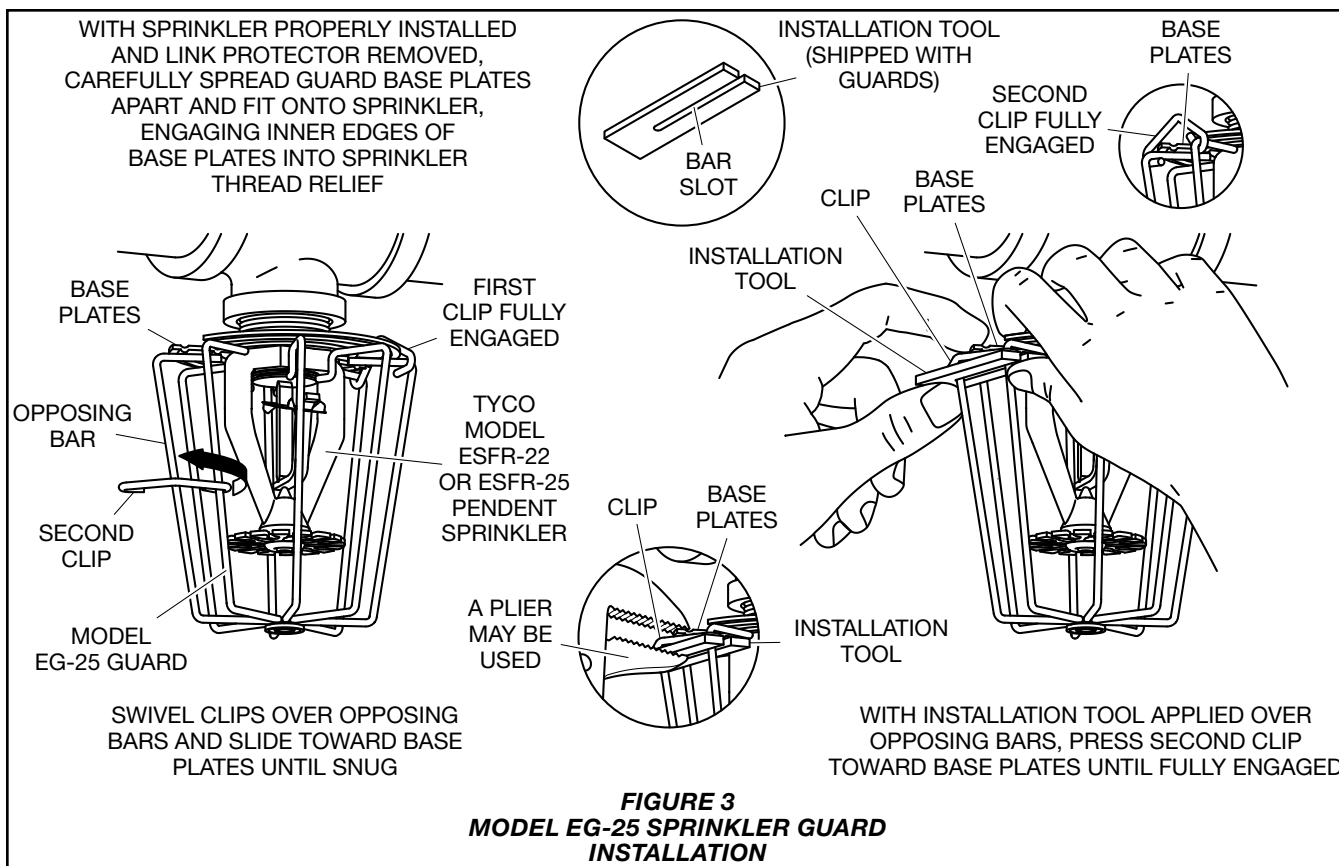
**Note:** TYCO ESFR Sprinklers must be installed in accordance with their respective Technical Data Sheet, see Table A.

See Figure 1 for sprinkler shield features, dimensions and installation details.

**Step A.** With the stamped markings facing toward the deflector, thread the Shield onto the sprinkler threads to the end nearest the frame arms.

**Step B.** Install the sprinkler into the sprinkler fitting in accordance with the applicable sprinkler technical data sheet, see Table A.

**Step C.** Rotate the Shield clockwise until flush against the face of the sprinkler fitting.



### Installing the Model EG-25 Sprinkler Guard

**Note:** The Model ESFR-22 Sprinkler must be installed in accordance with Technical Data Sheet TFP321 and Model ESFR-25 Sprinkler must be installed in accordance with Technical Data Sheet TFP312 before installing the Model EG-25 Sprinkler Guard.

See Figure 2 for guard features and dimensions and Figure 3 for installation details.

**Step 1.** With the clips loose, carefully spread the two halves of the sprinkler guard apart so the bars pass by the sprinkler deflector and the base plates pass by the sprinkler thread relief from the side.

**Step 2.** Position the guard on center relative to the sprinkler, engaging the base plates evenly onto the sprinkler thread relief. Align the guard base plate gaps parallel with the sprinkler frame arms.

**Step 3.** Swivel the first clip to engage the open end onto the opposing bar and slide toward the base plates until fully seated against the base plates

**Step 4.** Swivel the second clip to engage the open end onto the opposing bar and slide toward the base plates until fully seated against the base plates.

**Note:** The Installation Tool shown in Figure 2 may be used as an aid when sliding and seating the clips. Pliers may be used in addition to the Installation Tool to facilitate seating the clips.

#### **NOTICE**

To complete the installation, the clips must seat against the base to be fully seated.

## Care and Maintenance

The TYCO Model ES-1 and ES-2 Sprinkler Shields and Model EG-25 Sprinkler Guard do not require any regularly scheduled maintenance; however, proper installation of the sprinkler shield or guard should be verified during the annual visual inspection of the sprinkler.

### NOTICE

*Before closing a fire protection system main control valve for maintenance work on the fire protection system that it controls, obtain permission to shut down the affected fire protection system from the proper authorities and notify all personnel who may be affected by this action.*

*Sprinkler shields and guards found to be damaged or visibly deformed must be replaced.*

*Responsibility lies with sprinkler owners for the inspection, testing, and maintenance of their fire protection system and devices in compliance with this document, as well as with the applicable standards of the NFPA (for example, NFPA 25), in addition to the standards of any other authorities having jurisdiction. Contact the installing contractor or sprinkler manufacturer regarding any questions.*

*Automatic sprinkler systems are recommended to be inspected, tested, and maintained by a qualified Inspection Service in accordance with local requirements and/or national codes.*

*Owners must assure that the sprinklers are not used for the hanging of any objects and are only cleaned by means of gently dusting with a feather-duster. Otherwise, non-operation in the event of a fire or inadvertent operation may result.*

## Limited Warranty

For warranty terms and conditions, visit [www.tyco-fire.com](http://www.tyco-fire.com).

## Ordering Procedure

Contact your local distributor for availability. When placing an order, indicate the full product name and Part Number (P/N).

### Model ES-1 and ES-2 Sprinkler Shields

Specify: Model (specify ES-1 or ES-2) Sprinkler Shield, (specify finish), P/N (specify):

#### ES-1

Red Painted . . . . .58-000-1-003  
Zinc Coating. . . . .58-000-1-002

#### ES-2

Red Painted . . . . .58-000-1-006  
Zinc Coating. . . . .58-000-1-005

### Model EG-25 Sprinkler Guard

Specify: Model EG-25 Sprinkler Guard, (specify finish), P/N (specify):

Red Painted . . . . .56-939-1-025  
Zinc Chromate. . . . .56-939-9-025

### Additional Guard Installation Tools

Specify: Guard Installation Tool, P/N 56-000-8-597

**Note:** *The Model EG-25 Sprinkler Guard Installation Tool is included with orders in original carton quantities.*