

Model EG-25 Sprinkler Guard For Model ESFR-25 Pendent Sprinkler

General Description

The TYCO Model EG-25 Sprinkler Guard is designed for use with the TYCO Model ESFR-25 Pendent Sprinkler and may be located in areas that make it susceptible to mechanical or physical damage.

The Model EG-25 Sprinkler Guard, as seen in Figure 2, provides protection from mechanical and/or physical damage, for example, rack storage sprinkler installations.

The Model EG-25 Sprinkler Guard is intended for use in fire sprinkler systems designed in accordance with the standard installation rules recognized by the applicable Listing agency.

NOTICE

The Model EG-25 Sprinkler Guard described herein must be installed and maintained in compliance with this document and with the applicable standards of the NATIONAL FIRE PROTECTION ASSOCIATION (NFPA), in addition to the standards of any Authorities Having Jurisdiction. Failure to do so may impair the performance of these devices.

Owners are responsible for maintaining their fire protection system and devices in proper operating condition. The installing contractor or sprinkler manufacturer should be contacted with any questions.

IMPORTANT

Refer to Technical Data Sheet TFP2300 for warnings pertaining to regulatory and health information.

Always refer to Technical Data Sheet TFP700 for the "INSTALLER WARNING" that provides cautions with respect to handling and installation of sprinkler systems and components. Improper handling and installation can permanently damage a sprinkler system or its components and cause the sprinkler to fail to operate in a fire situation or cause it to operate prematurely.

Technical Data

Approvals
FM Approved

Finishes
Red painted and zinc chromate

Physical Characteristics
Welded assembly fabricated from carbon steel

Design Criteria

In accordance with the requirements of the NFPA, sprinkler guards shall be Listed. Sprinkler guards are only Listed for use with specified sprinklers; therefore, the Model EG-25 Sprinkler Guard should only be used with the TYCO Model ESFR-25 Pendent Sprinkler.

Installation

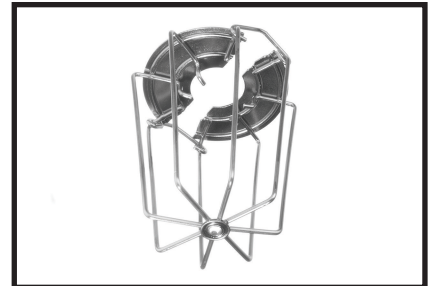
The TYCO Model EG-25 Sprinkler Guard must be installed onto the TYCO Model ESFR-25 Sprinkler in accordance with this section and with reference to Figures 1 and 2:

Note: *The Model ESFR-25 Sprinkler must be installed in accordance with Technical Data Sheet TFP312 before installing the Model EG-25 Sprinkler Guard.*

Step 1. With the clips loose, carefully spread the two halves of the sprinkler guard apart so the bars pass by the sprinkler deflector and the base plates pass by the sprinkler thread relief from the side.

Step 2. Position the guard on center relative to the sprinkler, engaging the base plates evenly onto the sprinkler thread relief. Align the guard base plate gaps parallel with the sprinkler frame arms.

Step 3. Swivel the first clip to engage the open end onto the opposing bar and slide toward the base plates until fully seated against the base plates



Step 4. Swivel the second clip to engage the open end onto the opposing bar and slide toward the base plates until fully seated against the base plates.

Note: *The Installation Tool shown in Figure 2 may be used as an aid when sliding and seating the clips. Pliers may be used in addition to the Installation Tool to facilitate seating the clips.*

NOTICE

To complete the installation, the clips must seat against the base to be fully seated.

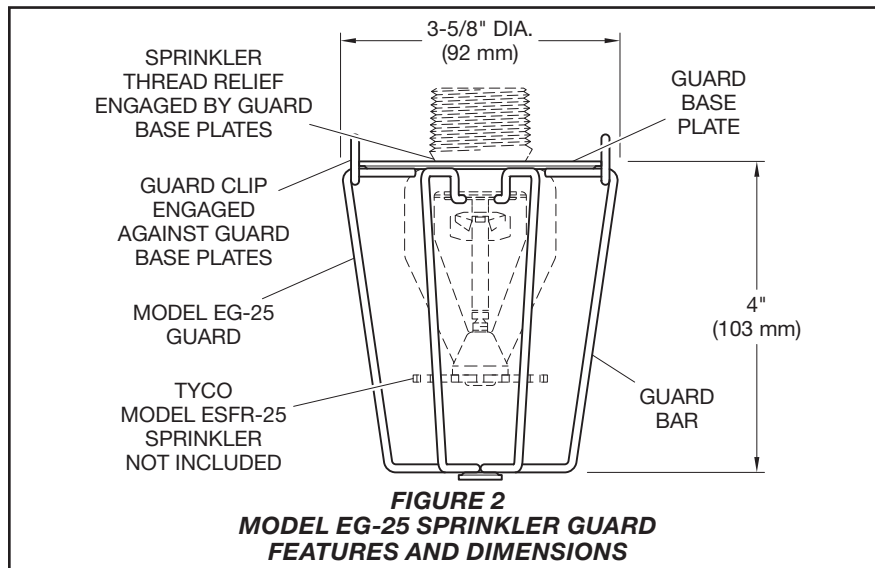
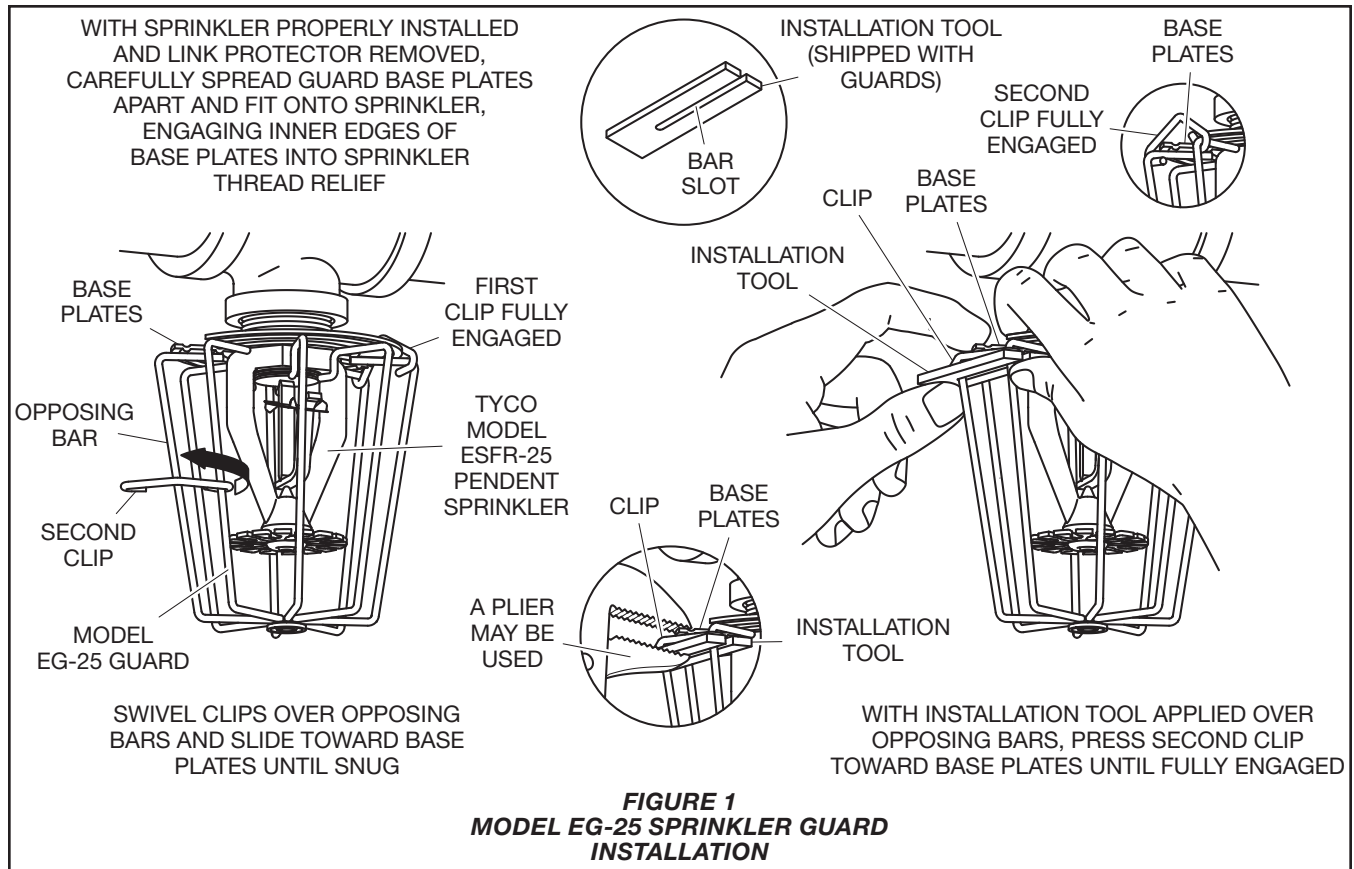
Care and Maintenance

The TYCO Model EG-25 Sprinkler Guard does not require any regularly scheduled maintenance; however, proper installation of the sprinkler guard should be verified during the annual visual inspection of the sprinkler.

NOTICE

Before closing a fire protection system main control valve for maintenance work on the fire protection system that it controls, obtain permission to shut down the affected fire protection system from the proper authorities and notify all personnel who may be affected by this action.

Responsibility lies with sprinkler owners for the inspection, testing, and maintenance of their fire protection system and devices in compliance with this document, as well as with the applicable standards of the NFPA (for example, NFPA 25), in addition to



the standards of any other authorities having jurisdiction. Contact the installing contractor or sprinkler manufacturer regarding any questions.

Automatic sprinkler systems are recommended to be inspected, tested, and maintained by a qualified Inspection Service in accordance with local requirements and/or national codes.

Owners must assure that the sprinklers are not used for the hanging of any objects and are only cleaned by means of gently dusting with a feather-duster. Otherwise, non-operation in the event of a fire or inadvertent operation may result.

Limited Warranty

For warranty terms and conditions, visit www.tyco-fire.com.

Ordering Procedure

Contact your local distributor for availability. When placing an order, indicate the full product name and Part Number (P/N).

Model EG-25 Sprinkler Guard

Specify: Model EG-25 Sprinkler Guard, (specify finish), P/N (specify):

Red painted 56-939-1-025
 Zinc chromate 56-939-9-025

Additional Guard Installation Tools

Specify: Guard Installation Tool, P/N 56-000-8-597

Note: The Model EG-25 Sprinkler Guard Installation Tool is included with orders in original carton quantities.