

Series TY-FRL – 5.6 and 8.0 K-factor Upright and Pendent Intermediate Level Sprinklers Quick Response

General Description

TYCO Series TY-FRL 5.6K and 8.0K Quick Response Upright and Pendent Intermediate Level Sprinklers are automatic sprinklers of the quick response solder type. They are standard spray sprinklers intended for use in fire sprinkler systems designed in accordance with the standard installation rules recognized by the applicable listing or approval agency, for example, UL Listing is based on NFPA requirements. Both the Pendent and Upright Sprinklers produce a hemispherical water distribution pattern below the deflector.

Intermediate level sprinklers are primarily designed for use in rack storage sprinkler systems where their thermally sensitive elements must be shielded from the water spray of higher elevation sprinklers that could operate earlier during a fire. Intermediate level sprinklers are also used in other applications such as beneath open gridded catwalks.

NOTICE

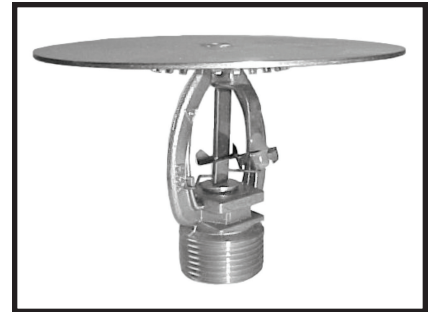
The Series TY-FRL Sprinklers described herein must be installed and maintained in compliance with this document, as well as with the applicable standards of the National Fire Protection Association (NFPA), in addition to the standards of any other authorities having jurisdiction. Failure to do so may impair the performance of these devices.

The owner is responsible for maintaining their fire protection system and devices in proper operating condition. Contact the installing contractor or product manufacturer with any questions.

Sprinkler Identification Numbers (SINs)

TY3123 . . . Upright 5.6K, 1/2 in. NPT
TY3221 . . . Pendent 5.6K, 1/2 in. NPT
TY4123 . . . Upright 8.0K, 3/4 in. NPT
TY4221 . . . Pendent 8.0K, 3/4 in. NPT

TY3123 is a redesignation for Star SIN S1991 and Gem SIN G8986
TY3221 is a redesignation for Star SIN S1865 and Gem SIN G8972
TY4123 is a redesignation for Star SIN S1993 and Gem SIN G8153
TY4221 is a redesignation for Star SIN S1867 and Gem SIN G8172



Technical Data

Approvals

UL and C-UL Listed
FM and NYC Approved

(See Table A for complete approval information.)

Maximum Working Pressure

175 psi (12,1 bar)

Discharge Coefficients

K=5.6 gpm/psi^{1/2} (80,6 Lpm/bar^{1/2})
K=8.0 gpm/psi^{1/2} (115,2 Lpm/bar^{1/2})

Temperature Ratings

See Table A

Finishes

See Table A

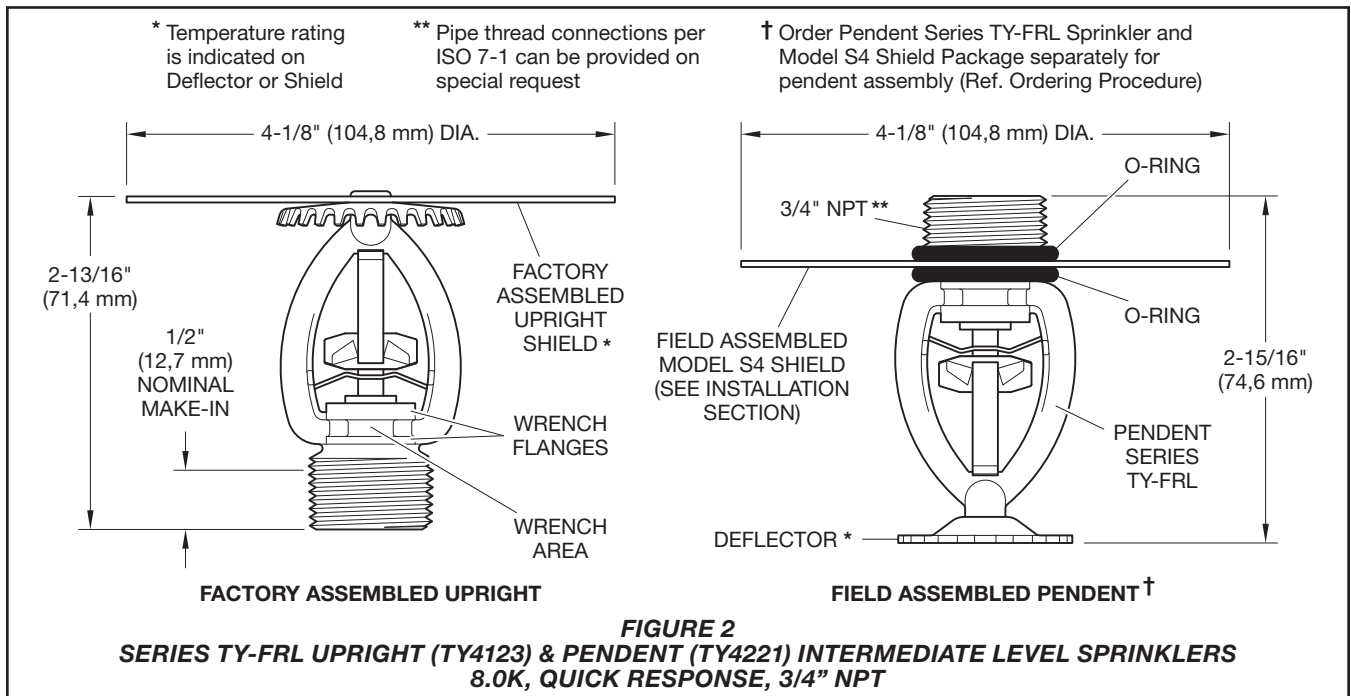
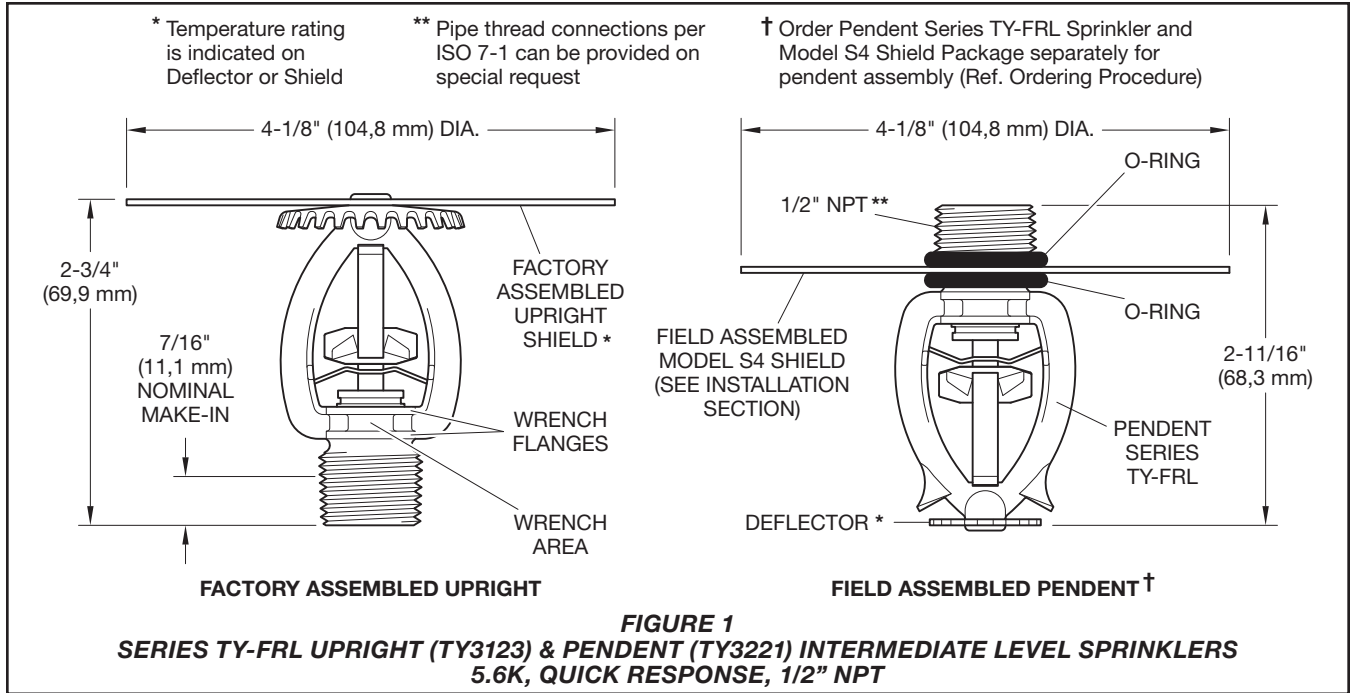
Physical Characteristics

Frame	Bronze
Strut	MONEL
Deflector	Bronze
Hook	MONEL
Link Assembly	Nickel
Ejection Spring	INCONEL
Button	Bronze
Seal	TEFLON
Shield	Brass

IMPORTANT

Refer to Technical Data Sheet TFP2300 for warnings pertaining to regulatory and health information.

Always refer to Technical Data Sheet TFP700 for the "INSTALLER WARNING" that provides cautions with respect to handling and installation of sprinkler systems and components. Improper handling and installation can permanently damage a sprinkler system or its components and cause the sprinkler to fail to operate in a fire situation or cause it to operate prematurely.



Design Criteria

TYCO Series TY-FRL 5.6K and 8.0K Quick Response Upright and Pendent Intermediate Level Sprinklers are intended for fire protection systems

designed in accordance with the standard installation rules recognized by the applicable listing or approval agency (such as UL Listing is based on the requirements of NFPA 13, and FM Approval is based on the requirements of FM Approvals' Loss Prevention Data Sheets).

Operation

The fusible link (heat collector) assembly is comprised of two halves that are joined together by a thin layer of solder. When the rated temperature is reached, the solder melts and the two link halves separate, allowing the sprinkler to operate.

K-FACTOR	SPRINKLER TYPE	TEMPERATURE RATING	FRAME COLOR CODE	SPRINKLER FINISH	
				NATURAL BRASS	CHROME PLATED
5.6 1/2 in. NPT	Upright (TY3123) & Pendent (TY3221)	165°F (74°C)	Unpainted	1, 2, 3, 4	
8.0 3/4 in. NPT	Upright (TY4123) & Pendent (TY4221)				

Notes:

1. Listed by Underwriters Laboratories, Inc. (UL) as quick response sprinklers
2. Listed by Underwriters Laboratories, Inc. for use in Canada (C-UL) as quick response sprinklers
3. Approved by FM Global (FM Approvals) as quick response sprinklers
4. Approved by the City of New York (NYC) under MEA 112-04-E

TABLE A

5.6K & 8.0K SERIES TY-FRL UPRIGHT & PENDENT INTERMEDIATE LEVEL SPRINKLERS, QUICK RESPONSE LABORATORY LISTINGS AND APPROVALS

Installation

TYCO Series TY-FRL 5.6K and 8.0K Quick Response Upright and Pendent Intermediate Level Sprinklers must be installed in accordance with this section.

General Instructions

A leak-tight 1/2 in. NPT sprinkler joint should be obtained with a torque of 7 to 14 lb-ft (9,5 to 19,0 N·m). A leak-tight 3/4 in. NPT sprinkler joint should be obtained with a torque of 10 to 20 lb-ft (13,4 to 26,8 N·m). Higher levels of torque may distort the sprinkler inlet and cause leakage or impairment of the sprinkler.

Upright Sprinklers

The Series TY-FRL Intermediate Level Upright Sprinklers must be installed in accordance with the following instructions:

Step 1. With pipe thread sealant applied to the pipe threads, hand-tighten the sprinkler into the sprinkler fitting.

Step 2. Tighten the sprinkler into the sprinkler fitting using only the W-Type 9 Sprinkler Wrench, see Figure 3. With reference to Figure 1 or 2, the W-Type 9 Sprinkler Wrench is to be applied to the wrenching area.

Pendent Sprinklers

The Series TY-FRL Intermediate Level Pendent Sprinklers must be installed in accordance with the following instructions:

Step 1. Install an O-ring over the sprinkler threads until it seats against the sprinkler wrenching area flange as shown in Figure 1 or 2, as applicable.

Step 2. Install the Model S4 Shield over the sprinkler threads, and then roll the O-ring over the sprinkler threads until it is seated firmly against the shield.

Step 3. With pipe thread sealant applied, hand-tighten the sprinkler into the sprinkler fitting.

Step 4. Tighten the sprinkler into the sprinkler fitting using only the W-Type 9 Sprinkler Wrench, see Figure 3. The wrench is to be applied to the sprinkler wrenching area shown in Figure 1 or 2, as applicable.

When installed correctly, the O-ring will be slightly compressed and the shield will be held firmly in place.

Care and Maintenance

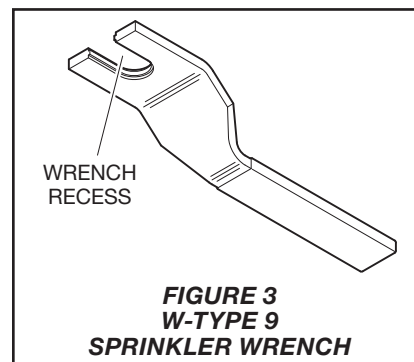
TYCO Series TY-FRL 5.6K and 8.0K Quick Response Upright and Pendent Intermediate Level Sprinklers must be maintained and serviced in accordance with this section.

Before closing a fire protection system control valve for maintenance work on the fire protection system that it controls, permission to shut down the affected fire protection system must be obtained from the proper authorities and all personnel who may be affected by this action must be notified.

Sprinklers that are found to be leaking or exhibiting visible signs of corrosion must be replaced.

Automatic sprinklers must never be painted, plated, coated or otherwise altered after leaving the factory. Modified sprinklers must be replaced. Sprinklers that have been exposed to corrosive products of combustion, but have not operated, should be replaced if they cannot be completely cleaned by wiping the sprinkler with a cloth or by brushing it with a soft bristle brush.

Care must be exercised to avoid damage to the sprinklers before, during, and after installation. Sprinklers damaged by dropping, striking,



wrench twist/slippage, or the like, must be replaced. Also, replace any sprinkler that has a cracked bulb or that has lost liquid from its bulb, see Installation Section.

The owner is responsible for the inspection, testing, and maintenance of their fire protection system and devices in compliance with this document, as well as with the applicable standards of the National Fire Protection Association, such as NFPA 25, in addition to the standards of any other authorities having jurisdiction. Contact the installing contractor or sprinkler manufacturer with any questions.

It is recommended that automatic sprinkler systems be inspected, tested, and maintained by a qualified Inspection Service in accordance with local requirements and/or national codes.

P/N 58 — XXX — X — XXX

		SIN	SPRINKLER FINISH		TEMPERATURE RATING	
986	5.6K UPRIGHT (1/2 in. NPT)	TY3123	1	NATURAL BRASS	165	165°F (74°C)
153	8.0K UPRIGHT (3/4 in. NPT)	TY4123	9	CHROME PLATED		

TABLE B
SERIES TY-FRL UPRIGHT INTERMEDIATE LEVEL SPRINKLERS, QUICK RESPONSE
PART NUMBER SELECTION

P/N 58 — XXX — X — XXX

		SIN	SPRINKLER FINISH		TEMPERATURE RATING	
982	5.6K PENDENT (1/2 in. NPT)	TY3221	1	NATURAL BRASS	165	165°F (74°C)
172	8.0K PENDENT (3/4 in. NPT)	TY4221	9	CHROME PLATED		

TABLE C
SERIES TY-FRL PENDENT INTERMEDIATE LEVEL SPRINKLERS, QUICK RESPONSE
PART NUMBER SELECTION
(MODEL S4 PENDENT SHIELD, SPEED-NUT AND O-RING MUST BE SEPARATELY ORDERED)

Limited Warranty

For warranty terms and conditions, visit www.tyco-fire.com.

Ordering Procedure

Contact your local distributor for availability. When placing an order, indicate the full product name, including description and part number (P/N).

Upright Sprinkler Assemblies with NPT Thread Connections (with Shield)

Specify: Series TY-FRL Upright Intermediate Level Sprinkler, (specify K-factor), Quick Response, (specify) temperature rating, (specify) finish, P/N (See Table B)

Pendent Sprinkler Assemblies with NPT Thread Connections (Shield ordered separately)

Specify: Series TY-FRL Pendent Sprinkler, (specify K-factor), Quick Response, (specify) temperature rating, (specify) finish, P/N (See Table C)

Model S4 Sprinkler Shield

Includes S4 Shield and two O-Rings.

Specify: Model S4 Sprinkler Shield, (specify) finish, (specify) Thread Size, P/N (specify):

Plain Brass

1/2 in. NPT 56-952-1-001
3/4 in. NPT 56-152-1-001

Chrome Plated

1/2 in. NPT 56-951-9-001
3/4 in. NPT 56-152-9-001

Sprinkler Wrench

Specify: W-Type 9 Sprinkler Wrench, P/N 56-000-1-8499

Replacement O-Ring

Specify: Model S4 Sprinkler Shield Replacement O-Ring, P/N 62-578-1-118

Note: Part Number is for one O-Ring. Two O-Rings are required for installing a Series TY-FRL Pendent Sprinkler with Model S4 Sprinkler Shield.