

Series TY-B, 5.6 K-factor Upright and Pendent Intermediate Level Sprinklers Standard Response

General Description

The Series TY-B, 5.6 K-factor Upright and Pendent Intermediate Level Sprinklers described in this data sheet are automatic sprinklers of the standard response 5 mm frangible bulb type. They are standard spray sprinklers intended for use in fire sprinkler systems designed in accordance with the standard installation rules recognized by the applicable Listing or Approval agency (e.g., UL Listing is based on NFPA requirements). Both the Pendent and Upright Sprinklers produce a hemispherical water distribution pattern below the deflector.

Intermediate Level Sprinklers are primarily designed for use in rack storage sprinkler systems where their thermally sensitive elements must be shielded from the water spray of higher elevation sprinklers that could operate earlier during a fire. Intermediate Level Sprinklers are also used in other applications such as beneath open gridded catwalks.

For additional Series TY-B Sprinkler information, see Technical Data Sheet TFP152. For additional Guard and Shield information, see Technical Data Sheet TFP780.

NOTICE

The Series TY-B Sprinklers described herein must be installed and maintained in compliance with this docu-

IMPORTANT

Refer to Technical Data Sheet TFP2300 for warnings pertaining to regulatory and health information.

Always refer to Technical Data Sheet TFP700 for the "INSTALLER WARNING" that provides cautions with respect to handling and installation of sprinkler systems and components. Improper handling and installation can permanently damage a sprinkler system or its components and cause the sprinkler to fail to operate in a fire situation or cause it to operate prematurely.

ment, as well as with the applicable standards of the National Fire Protection Association, in addition to the standards of any other authorities having jurisdiction. Failure to do so may impair the performance of these devices.

The owner is responsible for maintaining their fire protection system and devices in proper operating condition. Contact the installing contractor or product manufacturer with any questions.

Sprinkler Identification Numbers

TY315 Upright 5.6K, 1/2 in. NPT
TY325 Pendent 5.6K, 1/2 in. NPT

Technical Data

Approvals
UL and C-UL Listed
FM Approved

(Refer to Table A for complete approval information.)

Maximum Working Pressure
175 psi (12,1 bar)
250 psi (17,2 bar)*

* The Maximum Working Pressure of 250 psi (17,2 bar) only applies to the listing by Underwriters Laboratory.

Discharge Coefficient
K=5.6 GPM/psi^{1/2} (80,6 LPM/bar^{1/2})

Temperature Ratings
Refer to Table A

Finishes
TY-B Sprinkler. Brass
G1/S1 Guard with Shield. Red or Zinc
G1 Guard. Red or Zinc
S2 Shield. Zinc

Physical Characteristics
Frame Bronze
Button Brass/Copper
Sealing Assembly ... Stainless Steel w/TEFLON
Bulb Glass
Compression Screw Bronze
Deflector Copper
G1 and G1/S1 Guard. ... Painted or Plated Steel
S2 Shield. Plated Steel

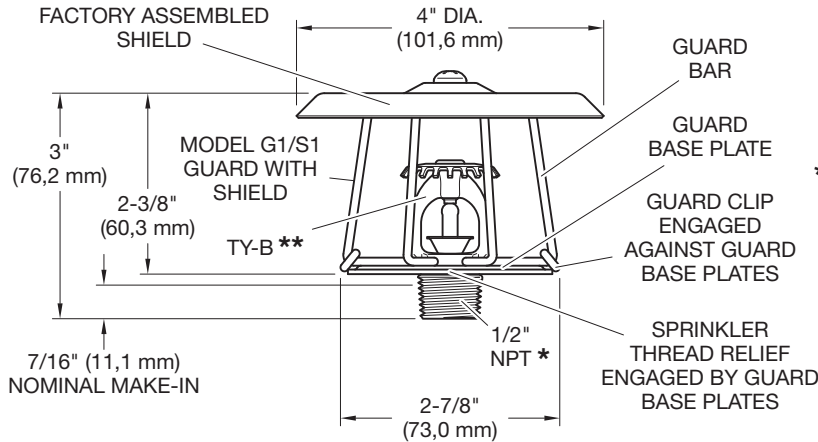


Operation

The glass bulb contains a fluid which expands when exposed to heat. When the rated temperature is reached, the fluid expands sufficiently to shatter the glass bulb, allowing the sprinkler to activate and water to flow.

Design Criteria

The Series TY-B Upright and Pendent Intermediate Level Sprinklers are intended for fire protection systems designed in accordance with the standard installation rules recognized by the applicable Listing or Approval agency (e.g., UL Listing is based on the requirements of NFPA 13, and FM Approval is based on the requirements of FM's Loss Prevention Data Sheets).

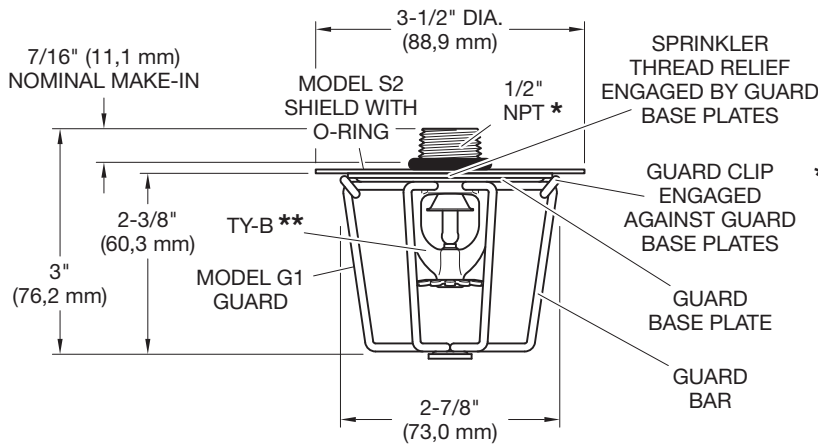


* Pipe thread connections per ISO 7-1 can be provided on special request.

** Temperature rating is indicated on Deflector.

TY-B Sprinkler and G1/S1 Guard with Shield are ordered separately.

FIGURE 1
SERIES TY-B UPRIGHT (TY315) INTERMEDIATE LEVEL SPRINKLER WITH G1/S1 GUARD WITH SHIELD

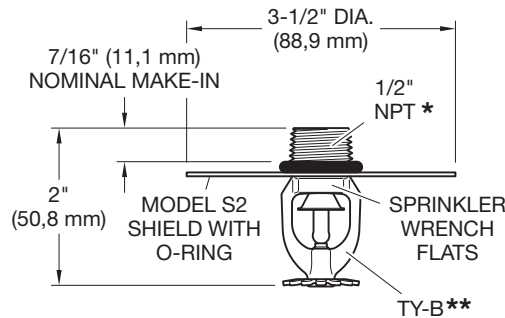


* Pipe thread connections per ISO 7-1 can be provided on special request.

** Temperature rating is indicated on Deflector.

TY-B Sprinkler, G1 Guard, and S2 Shield with O-Ring are ordered separately.

FIGURE 2
SERIES TY-B PENDENT (TY325) INTERMEDIATE LEVEL SPRINKLER WITH S2 SHIELD AND G1 GUARD



* Pipe thread connections per ISO 7-1 can be provided on special request.

** Temperature rating is indicated on Deflector.

TY-B Sprinkler and S2 Shield with O-Ring are ordered separately.

FIGURE 3
SERIES TY-B PENDENT (TY325) INTERMEDIATE LEVEL SPRINKLER WITH S2 SHIELD

K	TYPE	TEMP.	BULB LIQUID	SPRINKLER FINISH
				NATURAL BRASS
5.6 1/2 in. NPT	UPRIGHT (TY315) with Guard/ Shield (G1/S1)	135°F (57°C)	Orange	1, 2, 3
		155°F (68°C)	Red	
		175°F (79°C)	Yellow	
		200°F (93°C)	Green	
		286°F (141°C)	Blue	
		360°F (182°C)	Mauve	
	PENDENT (TY325) with Guard/ Shield (G1/S2) or Shield only (S2)	135°F (57°C)	Orange	1, 2, 3
		155°F (68°C)	Red	
		175°F (79°C)	Yellow	
		200°F (93°C)	Green	
		286°F (141°C)	Blue	
		360°F (182°C)	Mauve	

NOTES:

1. Listed by Underwriters Laboratories, Inc. (UL)
2. Listed by Underwriters Laboratories, Inc. for use in Canada (C-UL)
3. Approved by Factory Mutual Research Corporation (FM)

TABLE A
LABORATORY LISTINGS AND APPROVALS

WITH SPRINKLER PROPERLY INSTALLED, CAREFULLY SPREAD BASE PLATES APART AND FIT GUARD ONTO SPRINKLER ENGAGING SPRINKLER THREAD RELIEF BY BASE PLATES

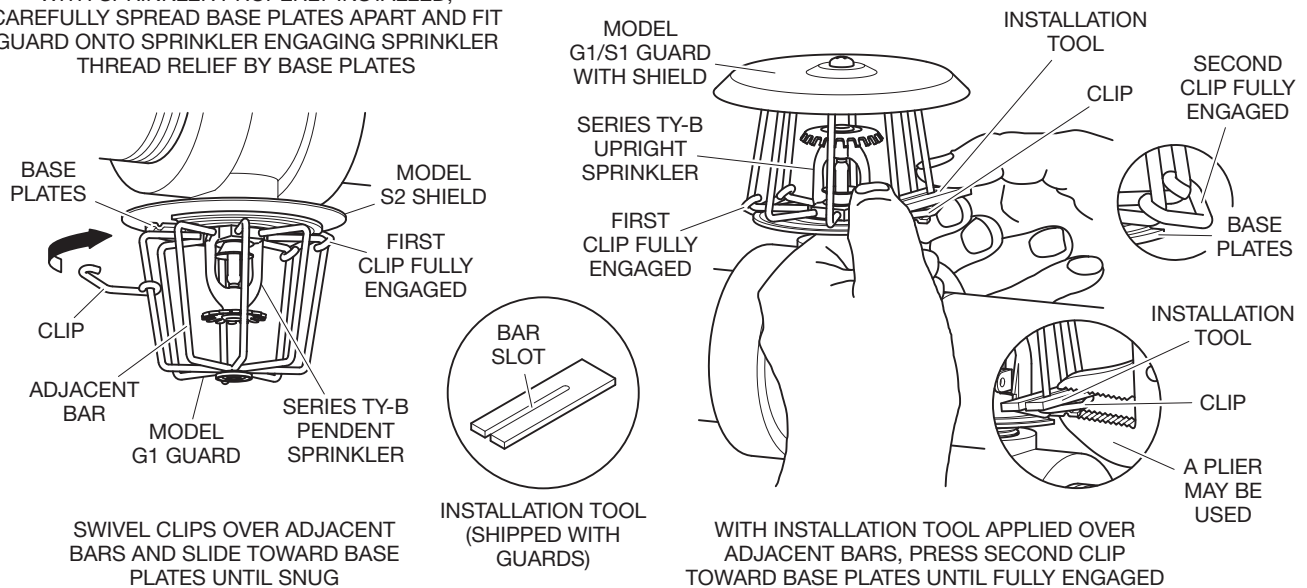
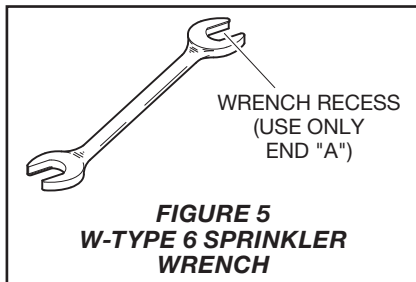


FIGURE 4
INSTALLATION PROCEDURES FOR MODEL G1 GUARD AND S2 SHIELD (PENDENT SPRINKLER) AND MODEL G1/S1 GUARD WITH SHIELD (UPRIGHT SPRINKLER)



Installation

The Series TY-B, 5.6 K-factor Upright and Pendent Intermediate Level Sprinklers must be installed in accordance with this section.

General Instructions

Do not install any bulb type sprinkler if the bulb is cracked or there is a loss of liquid from the bulb. With the sprinkler held horizontally, a small air bubble should be present. The diameter of the air bubble is approximately 1/16 in. (1,6 mm) for the 135°F (57°C) to 3/32 in. (2,4 mm) for the 360°F (182°C) temperature ratings.

A leak tight 1/2 in. NPT sprinkler joint should be obtained with a torque of 7 to 14 lb-ft (9,5 to 19,0 N·m). Higher levels of torque may distort the sprinkler inlet and cause leakage or impairment of the sprinkler.

Upright Sprinklers

The Series TY-B Intermediate Level Upright Sprinklers must be installed in accordance with the following instructions.

Step 1. With pipe thread sealant applied to the pipe threads, hand tighten the sprinkler into the sprinkler fitting.

Step 2. Tighten the sprinkler into the sprinkler fitting using only the W-Type 6 Sprinkler Wrench (Ref. Figure 5). With reference to Figure 1, the W-Type 6 Sprinkler Wrench is to be applied to the wrench flats.

Step 3. Mount the Model G1/S1 Guard with Shield on the sprinkler. With the Clips loose, spread the two halves of the Sprinkler Guard enough to pass by the sprinkler deflector from the side.

Step 4. Spread the two halves of the Sprinkler Base Plate enough to pass over the sprinkler Thread Relief portion of the sprinkler. (Ref. Figure 1)

Step 5. With the Sprinkler Guard positioned on the Thread Relief portion of the sprinkler, engage the Bars with Clips from opposing Guard Halves, then slide the Clips down until they are seated against the Base Plates, completing the installation as shown in Figures 1 and 4.

NOTE: To help assist with the sliding of the Clips, use the Guard Installation Tool as shown in Figure 4. Additionally, pliers can be used to facilitate the final seating of the Clips.

NOTICE

The Clips must seat against the Base Plates to be fully seated in order to complete the installation. The Model G1/S1 Guard with Shield may be located in any position relative to the sprinkler frame arms.

Pendent Sprinklers

The Series TY-B Intermediate Level Pendent Sprinklers must be installed in accordance with the following instructions.

Step A. Thread the S2 Shield on to the sprinkler threads with the stamped markings toward the deflector and just to the end of the threads. The final assembly step is easier to accomplish if the Shield is not disengaged by continuing to turn the Shield past the threads.

Step B. Roll the O-Ring over the sprinkler threads until it seats against the Shield.

Step C. With pipe thread sealant applied to the pipe threads, hand tighten the sprinkler into the sprinkler fitting.

Step D. Tighten the sprinkler into the sprinkler fitting using only the W-Type 6 Sprinkler Wrench (Ref. Figure 5). With reference to Figures 2 or 3, the W-Type 6 Sprinkler Wrench is to be applied to the wrench flats.

Step E. Rotate the S2 Shield clockwise (looking up) so that it slightly compresses the O-Ring between the Shield and sprinkler fitting.

Note: Installation of the S2 Shield only is completed at this point (Ref. Figure 3). If installing a G1 Guard, proceed to the next step.

Step F. Mount the Model G1 Guard on the sprinkler. With the Clips loose, spread the two halves of the Sprinkler Guard enough to pass by the sprinkler deflector from the side.

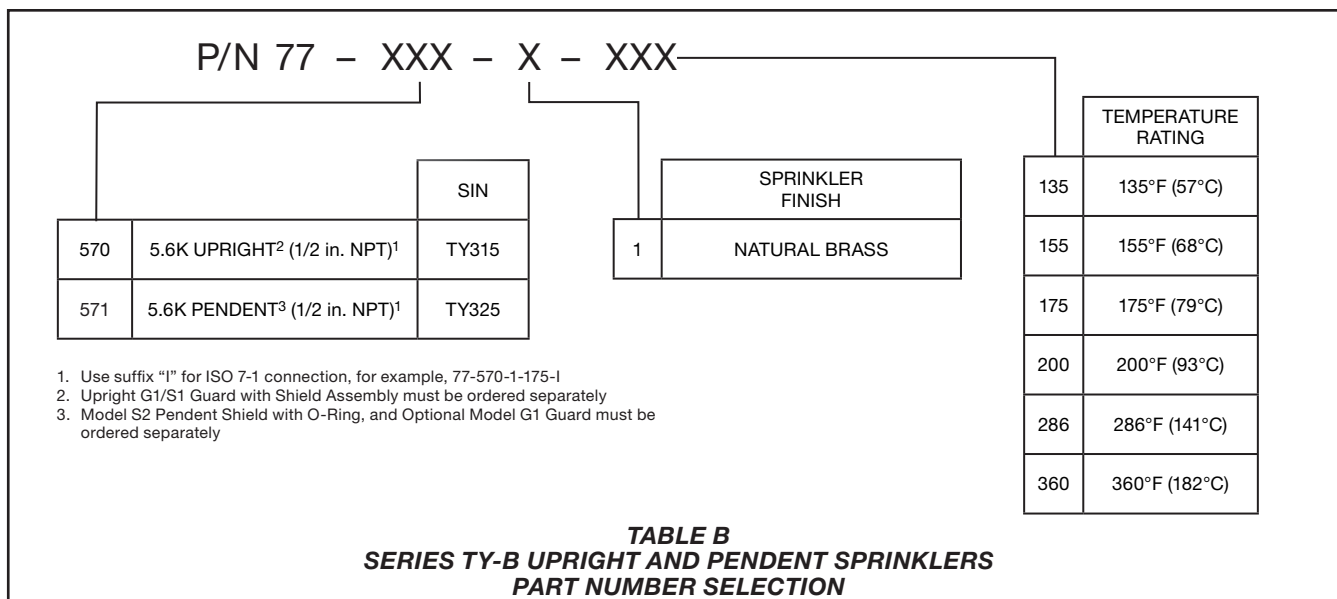
Step G. Spread the two halves of the Sprinkler Base Plate enough to pass over the sprinkler Thread Relief portion of the sprinkler. (Ref. Figure 2)

Step H. With the Sprinkler Guard positioned on the Thread Relief portion of the sprinkler, engage the Bars with Clips from opposing Guard Halves, then slide the Clips up until they are seated against the Base Plates, completing the installation as shown in Figures 2 and 4.

NOTE: To help assist with the sliding of the Clips, use the Guard Installation Tool as shown in Figure 4. Additionally, pliers can be used to facilitate the final seating of the Clips.

NOTICE

The Clips must seat against the Base Plates to be fully seated in order to complete the installation. The Model G1 Guard may be located in any position relative to the sprinkler frame arms.



Care and Maintenance

The Series TY-B, 5.6 K-factor Upright and Pendent Intermediate Level Sprinklers must be maintained and serviced in accordance with this section.

Before closing a fire protection system main control valve for maintenance work on the fire protection system that it controls, permission to shut down the affected fire protection system must be obtained from the proper authorities and all personnel who may be affected by this action must be notified.

Sprinklers that are found to be leaking or exhibiting visible signs of corrosion must be replaced.

Automatic sprinklers must never be painted, plated, coated or otherwise altered after leaving the factory. Modified sprinklers must be replaced. Sprinklers that have been exposed to corrosive products of combustion, but have not operated, should be replaced if they cannot be completely cleaned by wiping the sprinkler with a cloth or by brushing it with a soft bristle brush.

Care must be exercised to avoid damage to the sprinklers -before, during, and after installation. Sprinklers damaged by dropping, striking, wrench twist/slippage, or the like, must be replaced. Also, replace any sprinkler that has a cracked bulb or that has lost liquid from its bulb. (Ref. Installation Section)

The owner is responsible for the inspection, testing, and maintenance of their fire protection system and devices in compliance with this document, as well as with the applicable standards of the National Fire Protection Association (e.g., NFPA 25), in addition to the standards of any other authorities having jurisdiction. Contact the installing contractor or product manufacturer with any questions.

It is recommended that automatic sprinkler systems be inspected, tested, and maintained by a qualified Inspection Service in accordance with local requirements and/or national code.

Limited Warranty

For warranty terms and conditions, visit www.tyco-fire.com.

Ordering Procedure

Contact your local distributor for availability. When placing an order, indicate the full product name and Part Number (P/N).

Series TY-B Intermediate Sprinklers are comprised of separately ordered components: Sprinkler, Guard, and/or Shield.

Upright Sprinkler Assemblies with NPT Thread Connections

Specify: Series TY-B Upright Intermediate Level Sprinkler, TY315, K=5.6, Standard Response, (specify) temperature rating, (specify) finish, P/N (specify from Table B)

Pendent Sprinkler Assemblies with NPT Thread Connections

Specify: Series TY-B Pendent Sprinkler, TY325, K=5.6, Standard Response, (specify) temperature rating, (specify) finish, P/N (specify from Table B)

Model G1/S1 Guard with Shield

Specify: Model G1/S1 Sprinkler Guard with Shield, (specify) finish, P/N (specify):

Red Painted 56-938-1-066
 Zinc Chromate 56-938-9-066

Model G1 Sprinkler Guard

Specify: Model G1 Sprinkler Guard, (specify) finish, P/N (specify):

Red Painted 56-938-1-001
 Zinc Chromate 56-938-9-001

Model S2 Pendent Shield with O-Ring

Specify: Model S2 Pendent Shield with O-Ring, 1/2 in. NPT, Series TY-B Pendent Sprinklers, P/N 56-070-9-332

Sprinkler Wrench

Specify: W-Type 6 Sprinkler Wrench, P/N 56-000-6-387

Additional* Guard Installation Tools

Specify: Guard Installation Tool for Model G1 Sprinkler Guards, P/N 56-000-8-597

* The Guard Installation Tool is included with orders in original carton quantities..

