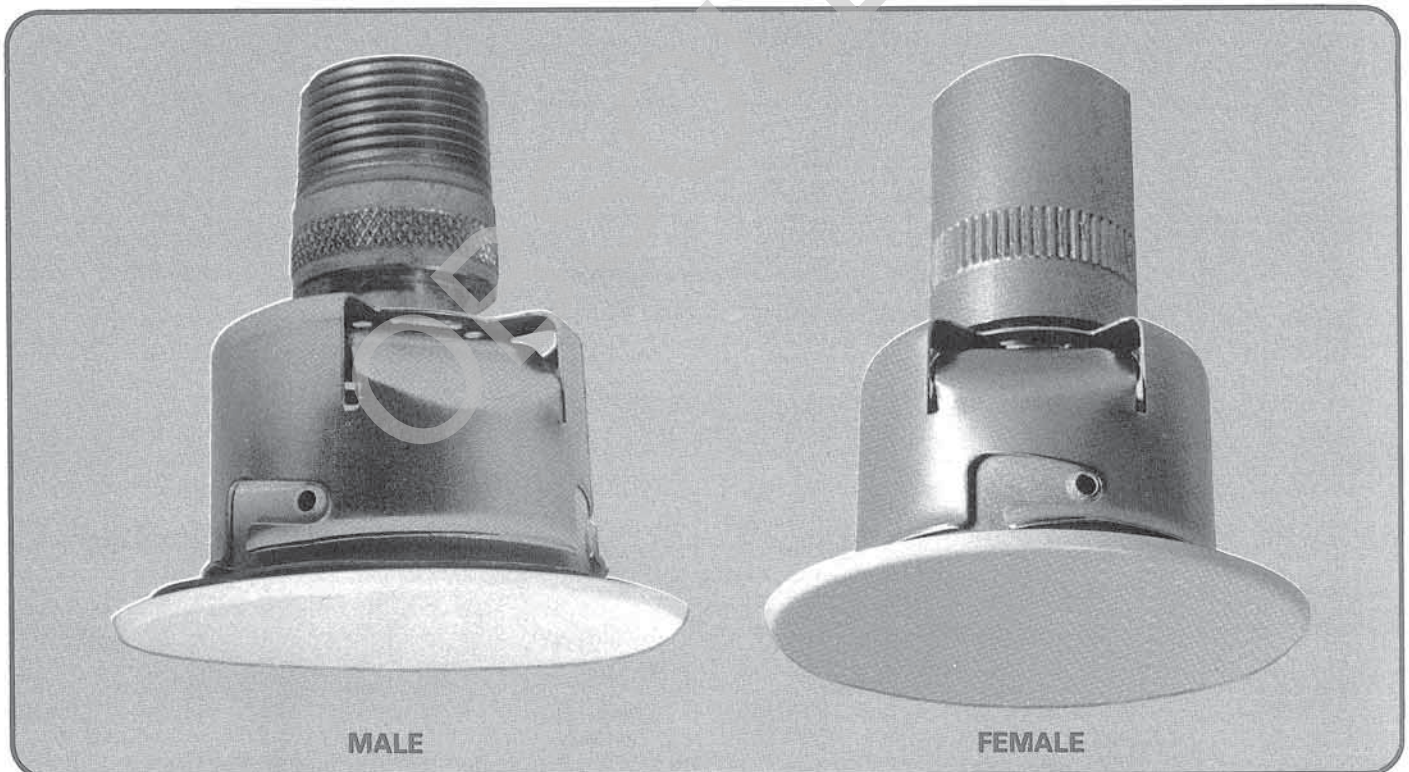


Adjustable Royal Flush Concealed Sprinkler Model "76A"

Patent #4,014,388



Listed by: Underwriters Laboratories, Inc.
Underwriters' Laboratories of Canada
Approved by: B.S. & A. of New York City
Installation ° Operation ° Technical Data

© Central Sprinkler Corporation — 1984



Central Sprinkler Corporation

451 North Cannon Avenue, Lansdale, PA 19446
(215) 362-0700

The Royal Flush

A winning combination of aesthetics and economy.
Quicker and easier to install for extra savings in time and labor.

Operation

Model "76A" Royal Flush Adjustable Concealed Sprinkler absorbs heat through the ceiling plate which is secured to the support ring by a fusible alloy. At the rated temperature, the plate falls away and heat then melts the sprinkler's fusible element releasing water flow.



Installed Unit



Ceiling Plate Disengaged

Technical Data

Ceiling plates are available in metallic or painted finishes. Only flat white and chrome plated models are stocked. Other metallic finishes and colors may be applied but paints must be furnished by the customer. All painted plates must be factory painted.

Ceiling Plate Temperature Rating	Sprinkler Temperature Rating	Thread Size N.P.T.	Orifice Size	"K" Factor
117°	135°, or 145°	1"	3/8"	2.78
135°	162°	1"	1/2"	5.6
165°	212°	1"	17/32"	7.66

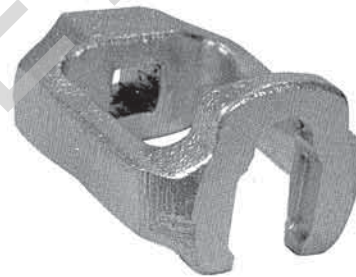
*U.L. Listed Only

Installation

The sprinkler, together with its factory attached upper support shell assembly and 1" N.P.T. adjustable (1/2 inch) outer housing, is easily installed with a standard pipe wrench applied to the outer housing. The Concealed Royal Flush wrench is used to adjust the sprinkler to its final position, at the ceiling. After the ceiling plate and support ring assembly holding studs are aligned with the slots in the upper support shell, a simple upward push and twisting to the right, until the support ring assembly ceiling stops rest against the ceiling, completes the installation. The entire assembly has a built in adjustment of 1/2 inch.

Ordering Information

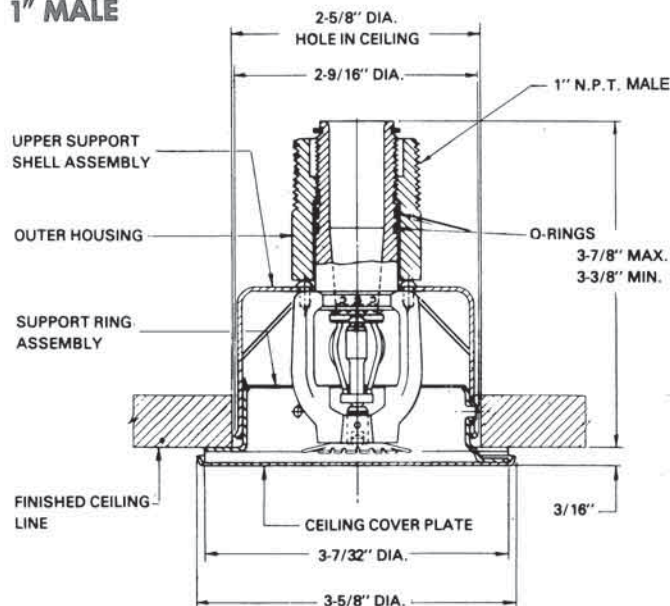
- Specify:
- Quantity
 - Orifice Size; 3/8", 1/2" or 17/32"
 - Ceiling plate finish
 - Ceiling plate temperature rating
 - Sprinkler temperature rating
 - Quantity—Concealed Wrenches
 - 1" Male or 1" Female Connection



Concealed Wrench Easily used with a standard 1/2" square ratchet or speed wrench.

Cross Sections

1" MALE



1" FEMALE

