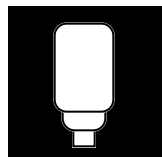


# Ident-A-Fire Feature

## Automatic Sprinkler & Detector

Available on Omega Sprinkler Models  
HEC-12, HEC-20, C-1A, EC-20A, C-1 PRO,  
HEC-12 PRO, & FC (Flow Control)

Manufactured by: Central Sprinkler Company  
451 North Cannon Avenue, Lansdale, Pennsylvania 19446



### Product Description

Central's innovative patented Ident-A-Fire feature brings a totally new concept to fire protection. Now it is possible to connect a signal initiating circuit from an alarm and detection control panel to many of Central's Omega sprinklers. It adds independent fire detection and signaling capability to the attractive Omega automatic sprinklers.

When the Omega sprinkler responds to heat in a fire situation, it not only activates the sprinkler, it also automatically activates an internal microswitch by the movement of the deflector. When the switch changes positions, it reverses the circuit continuity of any detection circuit connected thereto. This action may be used to signal a control panel to go into the alarm mode and subsequently activate;

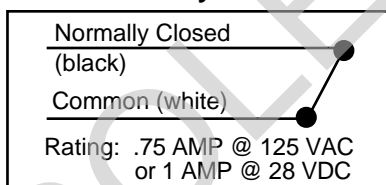
- An Alarm Bell
- An Annunciator Panel
- A Solenoid Valve Controlling a Preaction System
- A Solenoid Valve to control branch line flow to a space extremely sensitive to water damage such as computer room, clean room, elevator machine room, electrical closet, telephone equipment rooms or similar areas.
- A control panel to shut-down power in electrical areas sensitive to water.



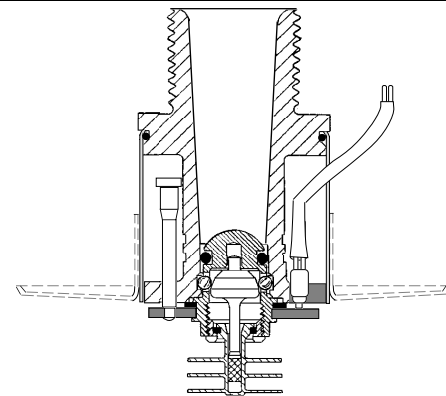
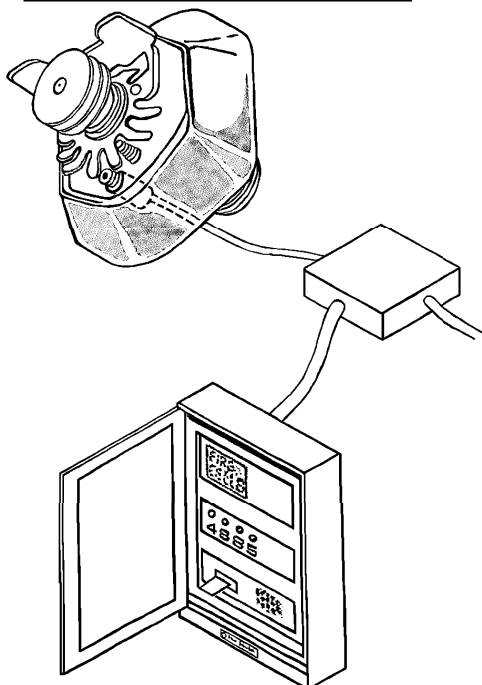
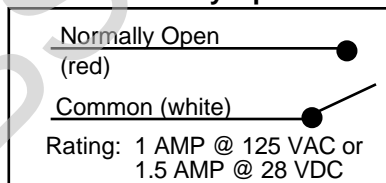
### Technical Data

Model: Ident-A-Fire  
Approvals: U.L.  
Wire: 22 G.A. High-Temperature Teflon Coated 12" (304.8 mm) Length

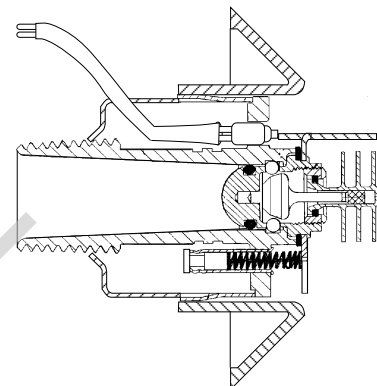
#### Normally Closed



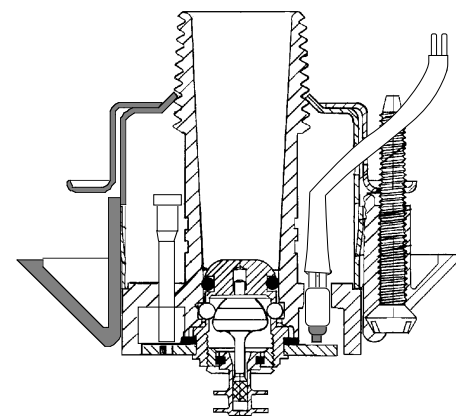
#### Normally Open



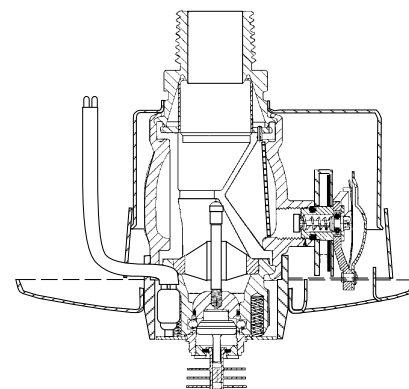
Omega C-1A & EC-20A



Omega HEC-12 & HEC-20  
(HEC-12 PRO Similar)

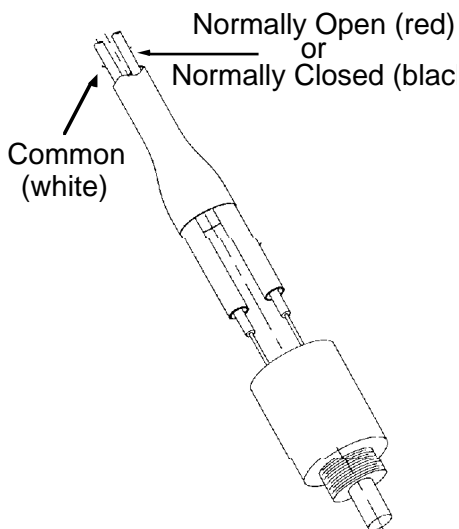


Omega C-1 PRO

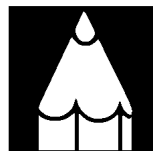
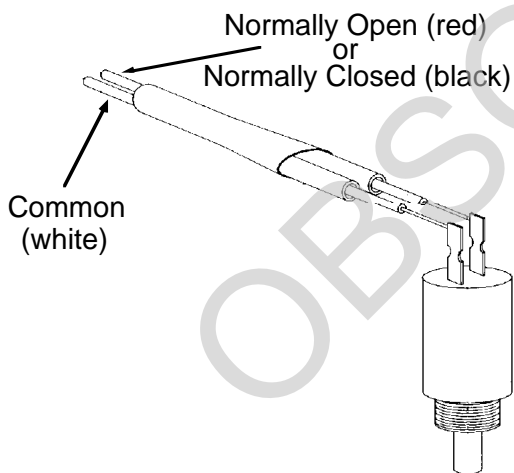


FC Flow Control

**Ident-A-Fire Switch**  
**HEC-12, HEC-20, C-1A, EC-20A, C-1 PRO & HEC-12 PRO**



**Ident-A-Fire Switch**  
**Flow Control**



# Ordering Information

**Ordering Information:** When placing an order, indicate the full product name. **Please specify the switch position (i.e. normally open or normally closed) and quantity.**

**Availability and Service:** Central sprinklers, valves, accessories, and other products are available throughout the U.S. and Canada; and internationally through a network of Central Sprinkler distribution centers. You may write directly to Central Sprinkler Company or call (215) 362-0700 for the distributor nearest you.

**Guarantee:** Central Sprinkler Company will repair and/or replace any products found to be defective in material or workmanship within a period of one year from the date of shipment. Please refer to the current Price List for further details of the warranty.



**Central Sprinkler Company**

451 North Cannon Avenue, Lansdale, PA 19446  
Phone (215) 362-0700  
FAX (215) 362-5385