

Series DS-1 — 5.6 K-factor Dry Type Sprinklers Standard Response, Standard Coverage

General Description

The Series DS-1, 5.6 K-factor, Standard Response, Standard Coverage, Dry Type Sprinklers are decorative 5 mm glass bulb automatic sprinklers designed for the following typical uses:

- where pendent sprinklers are required on dry pipe systems that are exposed to freezing temperatures (e.g. sprinkler drops from unheated portions of buildings)
- where sprinklers and/or a portion of the connecting piping may be exposed to freezing temperatures (e.g. sprinkler drops from wet systems into freezers, sprinkler sprigs from wet systems into unheated attics, or horizontal piping extensions through a wall to protect an unheated area of a building)
- where sprinklers are used on systems that are seasonably drained to avoid freezing (e.g. vacation resort areas)

WARNINGS

The Series DS-1 Dry Type Sprinklers described herein must be installed and maintained in compliance with this document, as well as with the applicable standards of the National Fire Protection Association, in addition to the standards of any other authorities having jurisdiction. Failure to do so may impair the integrity of these devices.

The owner is responsible for maintaining their fire protection system and devices in proper operating condition. The installing contractor or sprinkler manufacturer should be contacted relative to any questions.

The Series DS-1 Dry Type Sprinklers must only be installed in fittings that meet the requirements of the Design Criteria section.

Model/Sprinkler Identification Numbers

TY3255 - (Pendent)
TY3155 - (Upright)
TY3355 - (Horizontal Sidewall)

Technical Data

Approvals

UL and C-UL Listed.
FM and NYC Approved.
(Refer to Table A)

Maximum Working Pressure
175 psi (12,1 bar)

Inlet Thread Connection
1 inch NPT (Standard Order)
ISO 7-R1
3/4 inch NPT
1-1/4-14UNC

Discharge Coefficient

K = 5.6 GPM/psi^{1/2}
(80,6 LPM/bar^{1/2})

Temperature Ratings

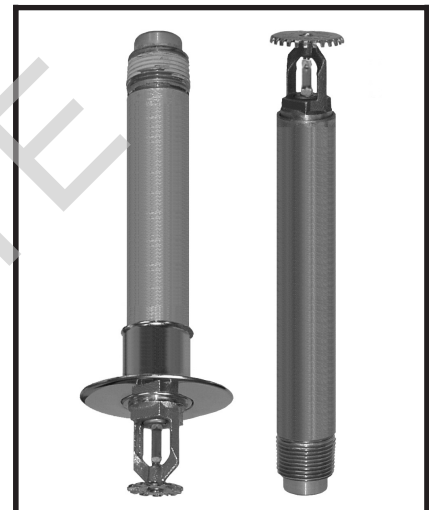
Refer to Table A

Finishes

Sprinkler: Natural Brass, Chrome Plated, White Polyester
Escutcheon: White Coated or Chrome Plated

Physical Characteristics

Inlet Copper
Plug Copper
Yoke Stainless Steel
Casing . . . Galvanized Carbon Steel
Insert Bronze
Bulb Seat Stainless Steel
Bulb Glass
Compression Screw Bronze
Deflector Bronze



Frame	Bronze
Guide Tube	Stainless Steel
Water Tube	Stainless Steel
Spring	Stainless Steel
Sealing Assembly	Beryllium Nickel w/Teflon*
Escutcheon	Carbon Steel

Patents

U.S.A. Patent Number 5,188,185 may be applicable to the Series DS-1, 5.6 K-factor, Standard Response, Standard Coverage, Dry Type Sprinklers.

* Registered Trademark of DuPont

		SPRINKLER FINISH								
		TY3255 Pendent w/ Standard Recessed Escutcheon (Ref. Fig. 3)			TY3255 Pendent w/ Std. Escutcheon (Ref. Fig. 5)			TY3355 Hor. Sidewall w/ Std. Escutcheon and a top of Deflector-to-Ceiling distance of 4 to 12 inches (100 to 300 mm) (Ref. Fig. 8)		
		TY3255 Pendent w/ Wide Flange Recessed Escutcheon (Ref. Fig. 4)			TY3255 Pendent w/ Deep Escutcheon (Ref. Fig. 6)			TY3155 Upright w/o Escutcheon (Ref. Fig. 7)		
Temperature Rating	Bulb Color Code	Natural Brass	Chrome Plated	White Polyester	Natural Brass	Chrome Plated	White Polyester	Natural Brass	Chrome Plated	White Polyester
135°F/57°C	Orange	1, 2, 3, 4		1, 2, 4	1, 2, 3, 4		1, 2, 4	1*, 2*, 3**, 4		1*, 2*, 4
155°F/68°C	Red	1, 2, 3, 4		1, 2, 4	1, 2, 3, 4		1, 2, 4	1*, 2*, 3**, 4		1*, 2*, 4
175°F/79°C	Yellow	1, 2, 3, 4		1, 2, 4	1, 2, 3, 4		1, 2, 4	1*, 2*, 3**, 4		1*, 2*, 4
200°F/93°C	Green	1, 2, 3, 4		1, 2, 4	1, 2, 3, 4		1, 2, 4	1*, 2*, 3**, 4		1*, 2*, 4
286°F/141°C	Blue	N/A			1, 2, 3, 4		1, 2, 4	1*, 2*, 3**, 4		1*, 2*, 4
360°F/182°C	Mauve	N/A			1, 2, 3, 4		1, 2, 4	1*, 2*, 4		1*, 2*, 4

Notes:

1. Listed by Underwriters Laboratories, Inc (Maximum order length of 48 inches).
 2. Listed by Underwriters Laboratories for use in Canada (Maximum order length of 48 inches).
 3. Approved by Factory Mutual Research Corporation (Maximum order length of 48 inches)
 4. Approved by the City of New York under MEA 352-01-E.
- * Light and Ordinary Hazard Occupancies Only.
 ** Light Hazard Occupancies Only.
 N/A - Not Available.

TABLE A
SERIES DS-1, STANDARD RESPONSE - STANDARD COVERAGE, DRY TYPE SPRINKLERS
LABORATORY LISTINGS AND APPROVALS

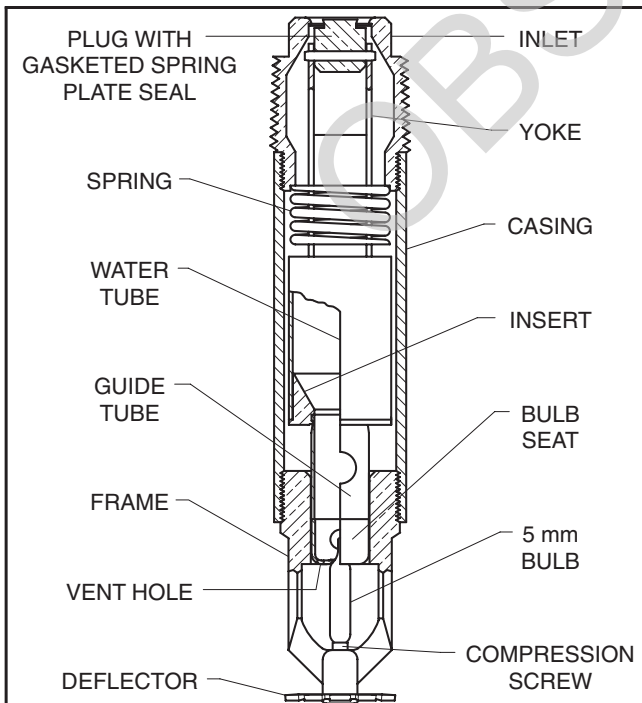


FIGURE 1
SERIES DS-1 STANDARD RESPONSE
DRY TYPE SPRINKLER ASSEMBLY

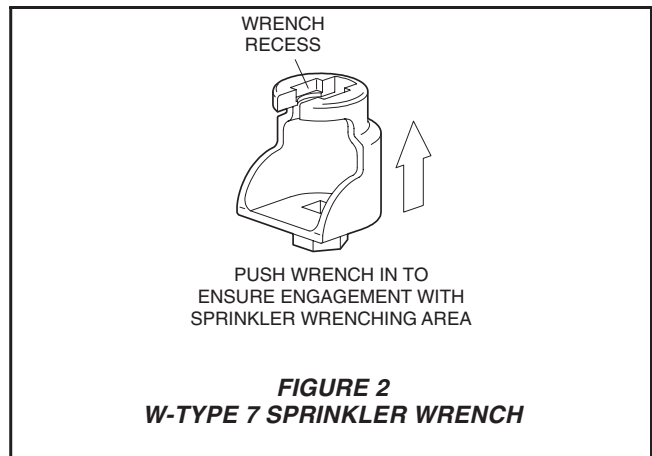
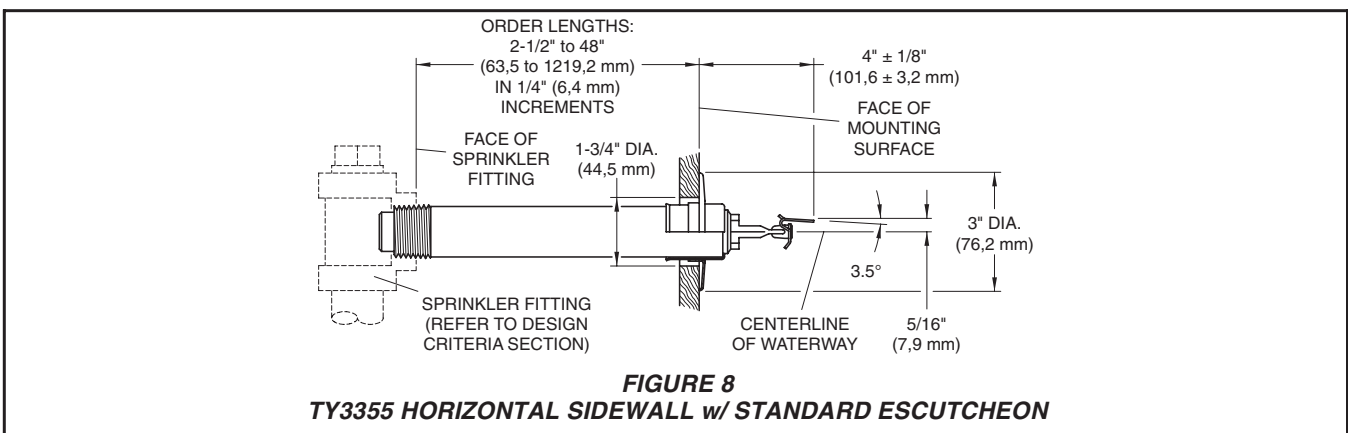
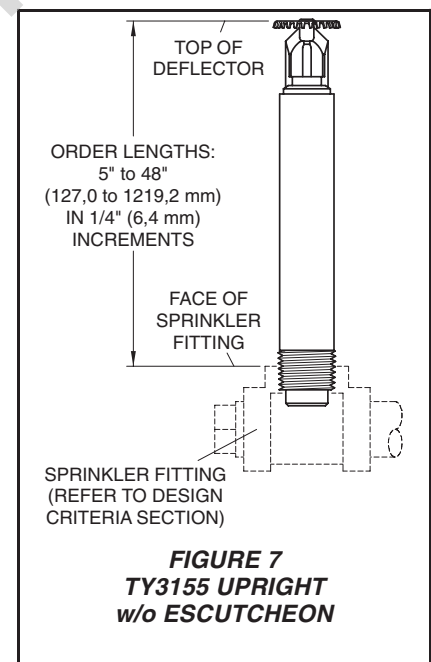
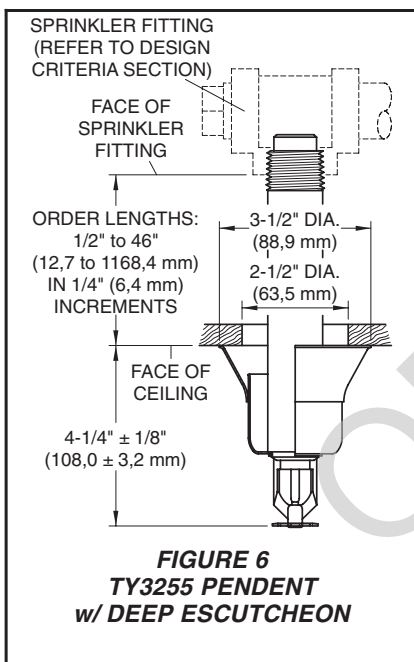
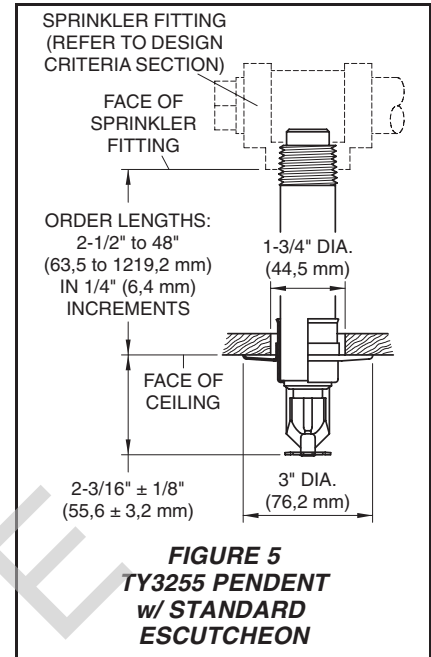
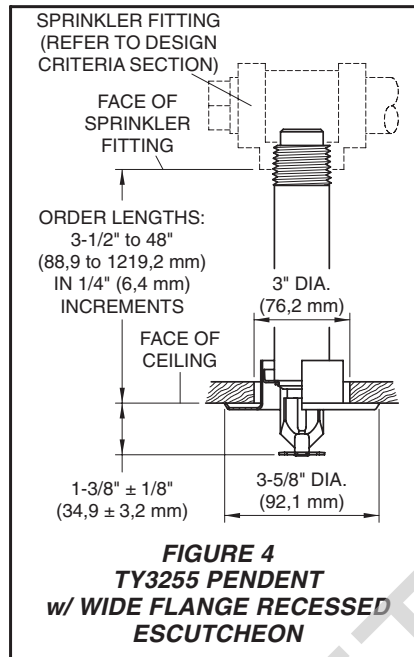
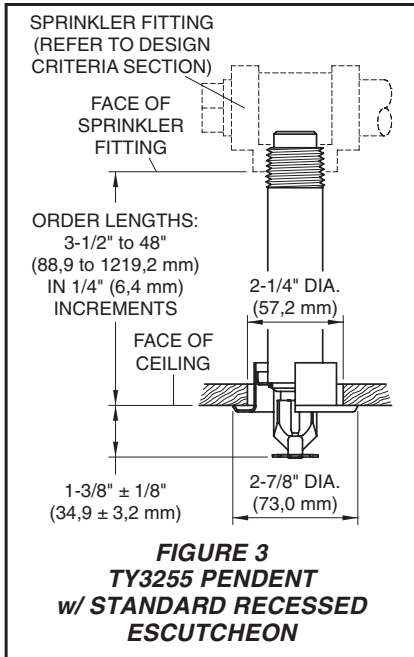


FIGURE 2
W-TYPE 7 SPRINKLER WRENCH



Operation

When the Series DS-1 is in service, water is prevented from entering the assembly by the Plug & Belleville Sealing Assembly (Ref. Figure 1) in the Inlet of the Sprinkler. The glass Bulb contains a fluid that expands when exposed to heat. When the rated temperature is reached, the fluid expands sufficiently to shatter the glass Bulb, and the Bulb Seat is released. The compressed Spring is then able to expand and push the Water Tube as well as the Guide Tube outward. This action simultaneously pulls inward on the Yoke, withdrawing the Plug & Belleville Seal from the Inlet allowing the sprinkler to activate and flow water.

Design Criteria

The Series DS-1 Sprinklers are intended for use in fire sprinkler systems designed in accordance with the standard installation rules recognized by the applicable Listing or Approval agency (e.g., UL Listing is based on NFPA 13 requirements).

The Series DS-1 Dry Type Sprinkler is to be installed in the 1 or 3/4 inch NPT outlet or run of malleable or ductile iron threaded tee fittings that meet the dimensional requirements of ANSI B16.3 or cast iron threaded tee fittings that meet the dimensional requirements of ANSI B16.4 with the end sprinkler fitting on a branch line to be plugged as shown in Figure 1.

When installing 1 inch NPT Series DS-1 Dry Type Sprinklers on a dry pipe sprinkler system, only use the side outlet of maximum 2-1/2 inch size reducing tee's. When installing 3/4 inch NPT Series DS-1 Dry Type Sprinklers on a dry pipe sprinkler system, only use the side outlet of maximum 2 inch size reducing tee's.

For wet pipe sprinkler systems, the Series DS-1 Dry Type Sprinklers may also be installed in the 1 or 3/4 inch NPT outlet of a Central Figure 730 Mechanical Tee.

NOTE

Do not install the Series DS-1 into any other type fitting without first consulting the Technical Services Department. Contact the Technical Services Department with regard to the applicability of 1-1/4-14 UNC inlet thread connections. Failure to use the appropriate fitting may result in: failure of the sprinkler to properly operate due to

formation of ice over the inlet Plug or binding of the inlet Plug; or, insufficient engagement of the inlet pipe threads with consequent leakage.

Branch, cross, and feedmain piping connected to Dry Sprinklers and subject to freezing temperatures must be pitched for drainage in accordance with the minimum requirements of the National Fire Protection Association for dry pipe sprinkler systems.

When Dry Sprinklers are to be used in wet pipe sprinkler systems protecting areas subject to freezing temperatures (e.g., sprinkler drops into freezers), consideration must be given to the appropriate length of the sprinkler that will prevent freezing of the water in the connecting pipes due to conduction. When the temperature surrounding the wet pipe sprinkler system is maintained at a minimum temperature of 40°F/4°C, the following are the minimum recommended lengths between the face of the sprinkler fitting and the outside surface of the protected area (i.e., length exposed to minimum ambient of 40°F/4°C):

- 12 inches (300 mm) when the temperature within the protected area is -20°F/-29°C
- 18 inches (450 mm) when the temperature within the protected area is -40°F/-40°C
- 24 inches (600 mm) when the temperature within the protected area is -60°F/-51°C

For protected area temperatures between those given above, the minimum recommended length from the face of the fitting to the outside of the protected area may be determined by interpolating between the indicated values.

NOTE

When Dry Sprinklers penetrate a ceiling or wall into an area subject to freezing, the clearance space around the Sprinkler Casing must be completely sealed in order to prevent the leakage of moist air into the freezing area which might result in the formation of condensate around the Frame, Deflector, Bulb Seat, or Bulb. Failure to prevent the formation of condensate could result in the build-up of ice around the releasing components. This could result in inadvertent operation of the sprinkler or impaired operation due to reduced thermal sensitivity.

Installation

The Series DS-1 Dry Type Sprinklers must be installed in accordance with the following instructions:

NOTES

The Series DS-1 must only be installed in fittings that meet the requirements of the Design Criteria section.

Refer to the Design Criteria section for other important requirements regarding piping design and sealing of the clearance space around the Sprinkler Casing.

Do not install any bulb type sprinkler if the bulb is cracked or there is a loss of liquid from the bulb. With the sprinkler held horizontally, a small air bubble should be present. The diameter of the air bubble is approximately 1/16 inch (1,6 mm) for the 135°F/57°C rating to 1/8 inch (3,2 mm) for the 360°F/182°C rating.

A leak tight 1 inch NPT sprinkler joint should be obtained with a torque of 20 to 30 ft.lbs. (26,8 to 40,2 Nm). Higher levels of torque may distort the sprinkler inlet with consequent leakage or impairment of the sprinkler.

Do not attempt to compensate for insufficient adjustment in an Escutcheon Plate by under- or over-tightening the Sprinkler. Readjust the position of the sprinkler fitting to suit.

Step 1. Pendent sprinklers must be installed only in the pendent position, and upright sprinklers must be installed only in the upright position. The deflector of a pendent or upright sprinkler is to be parallel to the ceiling.

Horizontal sidewall sprinklers are to be installed in the horizontal position with their centerline of waterway perpendicular to the back wall and parallel to the ceiling. The word "TOP" on the Deflector is to face towards the ceiling.

Step 2. With pipe thread sealant applied to the inlet threads, hand tighten the sprinkler into the sprinkler fitting.

Step 3. Wrench tighten the sprinkler by wrenching on the Casing with a pipe wrench whenever the casing is readily accessible. Otherwise, use a W-Type 7 Sprinkler Wrench (Ref. Figure 2). The wrench recess of the W-Type 7 is to be applied to the sprinkler wrench flats (Ref. Figure 2).

Step 4. After the ceiling/wall has been installed/finished, slide on the outer piece of the Escutcheon until it comes in contact with the ceiling/wall. Do not lift the ceiling panel out of its normal position.

In the case of the outer piece of the

Deep Ceiling Escutcheon, hold the outer piece in contact with the mounting surface (ceiling), and then rotate the inner piece approximately 1/4 turn with respect to the outer piece, to hold the Deep Escutcheon firmly together.

Care and Maintenance

The Series DS-1 Dry Type Sprinklers must be maintained and serviced in accordance with the following instructions:

NOTES

Absence of the outer piece of an escutcheon, which is used to cover a clearance hole, may delay the time to sprinkler operation in a fire situation.

Before closing a fire protection system main control valve for maintenance work on the fire protection system that it controls, permission to shut down the affected fire protection systems must be obtained from the proper authorities and all personnel who may be affected by this action must be notified.

A Vent Hole is provided in the Bulb Seat (Ref. Figure 1) to indicate if the Dry Sprinkler is remaining dry. Evidence of leakage from the Vent Hole is an indication that there may be weepage past the Inlet seal and that the sprinkler needs to be removed for determining the cause of leakage (e.g. an improper installation or an ice plug). The fire protection system control valve must be closed and the system drained before removing the sprinkler.

Sprinklers that are found to be leaking or exhibiting visible signs of corrosion must be replaced.

Automatic sprinklers must never be shipped or stored where their temperature will exceed 100°F/38°C and they must never be painted, plated, coated, or otherwise altered after leaving the factory. Modified sprinklers must be replaced. Sprinklers that have been exposed to corrosive products of combustion, but have not operated, should be completely cleaned by wiping the sprinkler with a cloth or by brushing it with a soft bristle brush.

Care must be exercised to avoid damage - before, during, and after installation. Sprinklers damaged by dropping, striking, wrench twist/slippage, or the like, must be replaced. Also, replace any sprinkler that has a cracked bulb or that has lost liquid from its bulb (Ref. Installation Section).

The owner is responsible for the inspection, testing, and maintenance of their fire protection system and de-

vices in compliance with this document, as well as with the applicable standards of the National Fire Protection Association (e.g., NFPA 25), in addition to the standards of any other authorities having jurisdiction. The installing contractor or sprinkler manufacturer should be contacted relative to any questions.

It is recommended that automatic sprinkler systems be inspected, tested, and maintained by a qualified Inspection Service.

Limited Warranty

Products manufactured by Tyco Fire Products are warranted solely to the original Buyer for ten (10) years against defects in material and workmanship when paid for and properly installed and maintained under normal use and service. This warranty will expire ten (10) years from date of shipment by Tyco Fire Products. No warranty is given for products or components manufactured by companies not affiliated by ownership with Tyco Fire Products or for products and components which have been subject to misuse, improper installation, corrosion, or which have not been installed, maintained, modified or repaired in accordance with applicable Standards of the National Fire Protection Association, and/or the standards of any other Authorities Having Jurisdiction. Materials found by Tyco Fire Products to be defective shall be either repaired or replaced, at Tyco Fire Products' sole option. Tyco Fire Products neither assumes, nor authorizes any person to assume for it, any other obligation in connection with the sale of products or parts of products. Tyco Fire Products shall not be responsible for sprinkler system design errors or inaccurate or incomplete information supplied by Buyer or Buyer's representatives.

IN NO EVENT SHALL TYCO FIRE PRODUCTS BE LIABLE, IN CONTRACT, TORT, STRICT LIABILITY OR UNDER ANY OTHER LEGAL THEORY, FOR INCIDENTAL, INDIRECT, SPECIAL OR CONSEQUENTIAL DAMAGES, INCLUDING BUT NOT LIMITED TO LABOR CHARGES, REGARDLESS OF WHETHER TYCO FIRE PRODUCTS WAS INFORMED ABOUT THE POSSIBILITY OF SUCH DAMAGES, AND IN NO EVENT SHALL TYCO FIRE PRODUCTS' LIABILITY EXCEED AN AMOUNT EQUAL TO THE SALES PRICE.

THE FOREGOING WARRANTY IS MADE IN LIEU OF ANY AND ALL

OTHER WARRANTIES EXPRESS OR IMPLIED, INCLUDING WARRANTIES OF MERCHANTABILITY AND FITNESS FOR A PARTICULAR PURPOSE.

Ordering Procedure

Contact your local distributor for availability, and please specify the following:

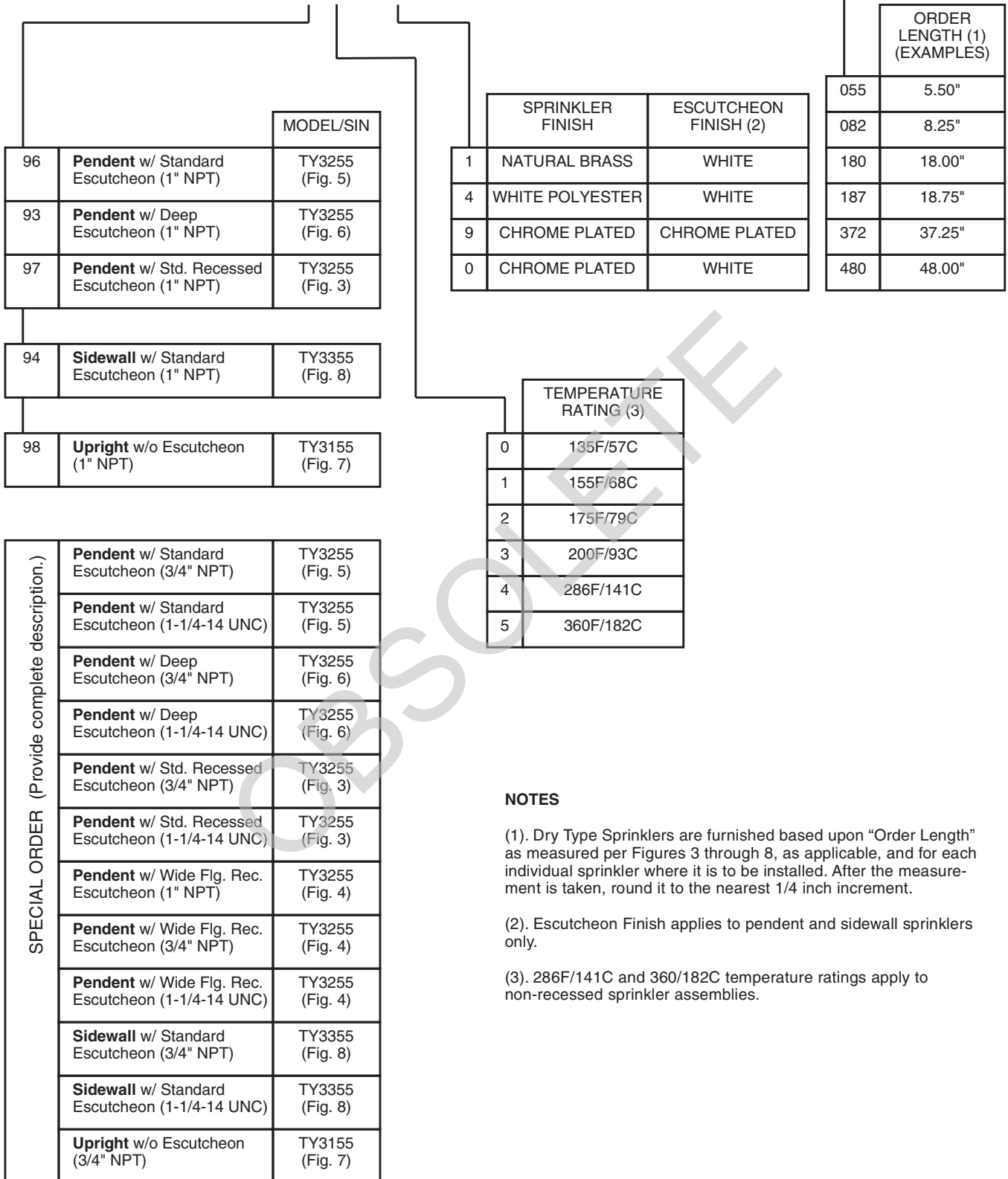
1. Sprinkler.
 - Model/SIN.
 - Standard Response, Standard Coverage, Dry Type Sprinkler
 - Deflector Style.
 - 5.6 K-factor.
 - Order Length.

Dry Type Sprinklers are furnished based upon Order Length as measured per Figures 3 through 8, as applicable. After the measurement is taken, round it to the nearest 1/4 inch increment.

- Inlet Connection (1 Inch NPT is standard).
 - Temperature Rating.
 - Sprinkler Finish.
 - Escutcheon Style and Finish, as applicable.
 - Part Number from Table B. (Part numbers are for 1 inch NPT standard order sprinklers. Orders for all other sprinkler assemblies must be accompanied by a complete description.)
2. W-Type 7 Sprinkler Wrench.

Refer to the Price List for complete listing of Part Numbers.

P/N 60 — XXX — X — XXX



NOTES

- (1). Dry Type Sprinklers are furnished based upon "Order Length" as measured per Figures 3 through 8, as applicable, and for each individual sprinkler where it is to be installed. After the measurement is taken, round it to the nearest 1/4 inch increment.
- (2). Escutcheon Finish applies to pendent and sidewall sprinklers only.
- (3). 286F/141C and 360/182C temperature ratings apply to non-recessed sprinkler assemblies.

**TABLE B
PART NUMBER SELECTION
SERIES DS-1, STANDARD RESPONSE, STANDARD COVERAGE, DRY TYPE SPRINKLERS**