

Model K25-1

Early Suppression Fast Response Sprinklers



Tyco Fire Products — www.centraisprinkler.com
 451 North Cannon Avenue, Lansdale, Pennsylvania 19446
 Customer Services/Sales: Tel: (215) 362-0700 / Fax: (215) 362-5385
 Technical Services: Tel: (800) 381-9312 / Fax: (800) 791-5500



General Description

The Central Model K25-1 Sprinklers (Ref. Figure 1) are “Early Suppression Fast Response Sprinklers” having a nominal K-factor of 25.2. They are suppression mode sprinklers, and their use is especially advantageous as a means of eliminating the use of in-rack sprinklers, when protecting high-piled storage.

The Model K25-1 is primarily designed for use with storage heights of most encapsulated or non-encapsulated common materials including cartoned unexpanded plastics of up to 40 ft. (12,2 m) and with ceiling heights of up to 45 ft. (13,7 m). In addition, the protection of some storage arrangements of roll paper and rubber tires can be considered as well.

The K25-1 provides the system designer with hydraulic and sprinkler placement options not presently available to the traditional ESFR sprinklers having a nominal K-Factor of 14.0. In particular, the Model K25-1 has been designed to operate at substantially lower end head pressures, as compared to ESFR sprinklers having a nominal K-Factor of 14.0. This feature offers flexibility when sizing the system piping, as well as possibly reducing or eliminating the need for a system fire pump. Also, the Model K25-1 permits use of a maximum deflector-to ceiling distance of 18 inches (460 mm) versus 14 inches (360 mm); and, a storage arrangement of up to 40 ft. (12,2 m) with a ceiling height of up to 45 ft. (13,7 m) does not require in-rack sprinklers as do ESFR sprinklers having a nominal K-Factor of 14.0.

The Model K25-1 Pendent Sprinkler is also Listed by Underwriters Laboratories Inc. (UL) and by UL for use in Canada (C-UL) as a “Specific Ap-

plication Early Suppression Fast Response Sprinkler” as indicated under the UL and C-UL Specific Application Design Criteria section. The specific application listing provides for reduced pressure design for the protection of certain commodities.

Applications for the Model K25-1 Sprinklers are expanding beyond the current recognized installation standards. For information regarding research fire tests which may be acceptable to an Authority Having Jurisdiction (e.g., flammable liquids, exposed plastics, and aerosols), please contact the Technical Services Department.

Operation. The fusible link assembly is comprised of two link halves which are joined together by a thin layer of solder. When the rated temperature is reached, the solder melts and the two link halves separate, which then allows the sprinkler to activate and flow water.

WARNINGS

The Model K25-1 Sprinklers described herein must be installed and maintained in compliance with this document, as well as with the applicable standards of the National Fire Protection Association, in addition to the standards of any other authorities having jurisdiction (e.g., Factory Mutual Research Corporation). Failure to do so may impair the integrity of these devices.

The owner is responsible for maintaining their fire protection system and devices in proper operating condition. The installing contractor or sprinkler manufacturer should be contacted relative to any questions.



Early Suppression Fast Response Pendent Sprinklers

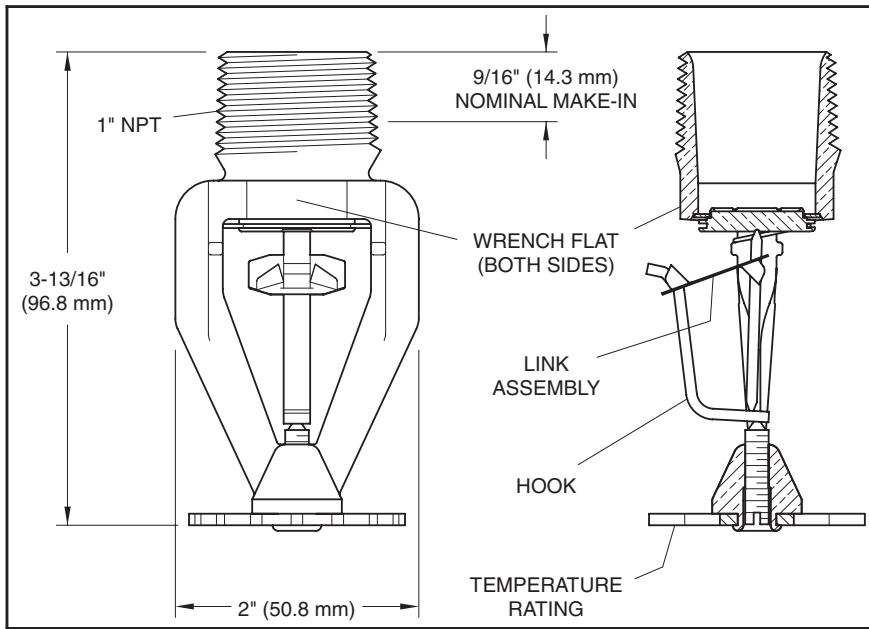


Figure 1
Model K25-1 ESRF Pendent Sprinkler

Design Criteria

UL and C-UL Listing Criteria

The Model K25-1 Sprinklers are UL and C-UL Listed as “Early Suppression Fast Response Sprinklers” for installation per NFPA 13 or other applicable NFPA standards.

UL and C-UL Specific Application Listing Criteria

The Model K25-1 Sprinklers are UL and C-UL Listed as “Specific Application Early Suppression Fast Response Sprinklers” for use in accordance with NFPA 13 to protect single-, double-, and multiple row rack storage and palletized and solid pile storage (no open containers or solid shelves) of Class I, II, III, and IV commodities encapsulated or unencapsulated and cartoned Group A unexpanded plastics when installed with the following storage and ceiling heights and minimum design pressures:

Maximum Storage Height, Ft. (m)	Maximum Ceiling Height, Ft. (m)	Minimum Flowing Pressure, psi (bar)
40 (12,2)	45 (13,7)	40 (2,7)
35 (10,7)	40 (12,2)	25 (1,7)
30 (9,1)	35 (10,7)	20 (1,4)
25 (7,6)	30 (9,1)	15 (1,0)

When applying the specific application listing criteria, the Model K25-1 Sprinklers should be installed using the same installation obstruction and construction criteria, as well as deflector-to ceiling distances, as is applicable for Early Suppression Fast Response Sprinklers having a nominal K-Factor of 25.2 per NFPA 13.

FM Approval Criteria

The Model K25-1 Sprinklers are FM Approved as “Early Suppression Fast Response Sprinklers” for installation per the applicable FM Loss Prevention Data Sheets.

Technical Data

Sprinkler Identification Number
SIN C9226

Approvals
UL and C-UL Listed.
FM Approved.

(Listings and approvals only apply to the service conditions indicated in the Design Criteria section.)

Maximum Working Pressure
175 psi (12,1 bar)

Pipe Thread Connection
1 inch NPT or ISO 7-R1

Discharge Coefficient
 $K = 25.2 \text{ GPM/psi}^{1/2}$
(362,9 LPM/bar^{1/2})

Temperature Ratings
165°F/74°C or 214°F/101°C

Finish
Natural Brass

Physical Characteristics
The Model K25-1 utilizes a dezincification resistant bronze alloy frame. The strut and hook are monel; and, the button, deflector, and compression screw are bronze. The frame orifice is sealed with a gasketed spring plate (Belleville Seal) consisting of a beryllium nickel disc spring that is sealed on both its inside and outside edges with a Teflon[†] gasket, and the two halves of the fusible link assembly are nickel.



Installation

The Model K25-1 Pendent Sprinklers are to be installed in accordance with the following instructions:

NOTE

Damage to the fusible Link Assembly during installation can be avoided by handling the sprinkler by the frame arms only (i.e., do not apply pressure to the fusible Link Assembly), and by using the appropriate sprinkler wrench. Damaged sprinklers must be replaced.

A leak tight 1 inch NPT sprinkler joint should be obtained with a torque of 20 to 30 ft.lbs. (26,8 to 40,2 Nm). Higher levels of torque may distort the sprinkler inlet with consequent leakage or impairment of the sprinkler.

Step 1. The K25-1 Sprinkler must be installed in the pendent position.

Step 2. With pipe thread sealant applied, hand tighten the sprinkler into the sprinkler fitting. Do not apply pressure to the Link Assembly, and handle the K25-1 Sprinkler only by the Frame arms.

Step 3. Wrench tighten the K25-1 Sprinkler using only the W-Type 1 Sprinkler Wrench (Ref. Figure 2) and by fully engaging (seating) the wrench with the sprinkler wrench flats.

Step 4. After installation, inspect the Link Assembly of each K25-1 Sprinkler for damage. In particular, verify that the Link Assembly and Hook are positioned as illustrated in Figure 1, and that the Link Assembly has not been bent, creased, or forced out of its normal position in any way.

Damaged sprinklers must be replaced.

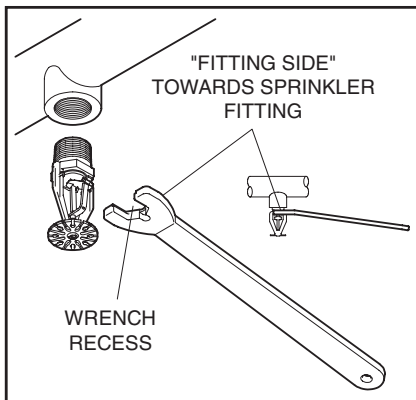


Figure 2
W-Type 1
Sprinkler Wrench



Care & Maintenance

The Model K25-1 must be maintained and serviced in accordance with the following instructions:

NOTE

Before closing a fire protection system main control valve for maintenance work on the fire protection system which it controls, permission to shut down the affected fire protection systems must be obtained from the proper authorities and all personnel who may be affected by this action must be notified.

Sprinklers which are found to be leaking or exhibiting visible signs of corrosion must be replaced.

Automatic sprinklers must never be shipped or stored where their temperature will exceed 100°F/38°C and they must never be painted, plated, coated, or otherwise altered after leaving the factory. Modified or overheated sprinklers must be replaced.

Care must be exercised to avoid damage - before, during, and after installation. Sprinklers damaged by dropping, striking, wrench twist/slippage, or the like, must be replaced.

The owner is responsible for the inspection, testing, and maintenance of their fire protection system and devices in compliance with this document, as well as with the applicable standards of the National Fire Protection Association (e.g., NFPA 25), in addition to the standards of any other authorities having jurisdiction. The installing contractor or sprinkler manufacturer should be contacted relative to any questions.

It is recommended that automatic sprinkler systems be inspected, tested, and maintained by a qualified Inspection Service.



Limited Warranty

Products manufactured by Tyco Fire Products are warranted solely to the original Buyer for ten (10) years against defects in material and workmanship when paid for and properly installed and maintained under normal use and service. This warranty will expire ten (10) years from date of shipment by Tyco Fire Products. No warranty is given for products or components manufactured by companies not affiliated by ownership with Tyco Fire Products or for products and components which have been subject to misuse, improper installation, corrosion, or which have not been installed, maintained, modified or repaired in accordance with applicable Standards of the National Fire Protection Association, and/or the standards of any other Authorities Having Jurisdiction. Materials found by Tyco Fire Products to be defective shall be either repaired or replaced, at Tyco Fire Products' sole option. Tyco Fire Products neither assumes, nor authorizes any person to assume for it, any other obligation in connection with the sale of products or parts of products. Tyco Fire Products shall not be responsible for sprinkler system design errors or inaccurate or incomplete information supplied by Buyer or Buyer's representatives.

IN NO EVENT SHALL TYCO FIRE PRODUCTS BE LIABLE, IN CONTRACT, TORT, STRICT LIABILITY OR UNDER ANY OTHER LEGAL THEORY, FOR INCIDENTAL, INDIRECT, SPECIAL OR CONSEQUENTIAL DAMAGES, INCLUDING BUT NOT LIMITED TO LABOR CHARGES, REGARDLESS OF WHETHER TYCO FIRE PRODUCTS WAS INFORMED ABOUT THE POSSIBILITY OF SUCH DAMAGES, AND IN NO EVENT SHALL TYCO FIRE PRODUCTS' LIABILITY EXCEED AN AMOUNT EQUAL TO THE SALES PRICE.

THE FOREGOING WARRANTY IS MADE IN LIEU OF ANY AND ALL OTHER WARRANTIES EXPRESS OR IMPLIED, INCLUDING WARRANTIES OF MERCHANTABILITY AND FITNESS FOR A PARTICULAR PURPOSE.



Ordering Information

Ordering Information: When placing an order, indicate the full product name. Please specify the quantity, model, style, and size, as applicable. Refer to Price List for complete listing of Part Numbers.

Patents:

U.S.A. Patent Numbers 4,580,729, 5,829,532, and 6,059,044 are applicable to the Model K25-1. Other patents are pending.

OBSOLETE