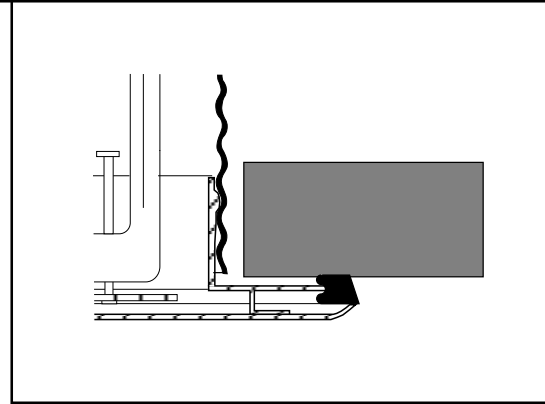


Clean Room Seal

GB4, GB4-EC and ELOC Sprinklers

Manufactured by: Central Sprinkler Company
451 North Cannon Avenue, Lansdale, Pennsylvania 19446



Product Description

The Central GB4, GB4-EC and ELOC sprinklers are available with a clean room seal. This provides an advantage in clean rooms and other sensitive areas as the seal stops the air and dust travel through the cover plate from the area above the ceiling.

The GB4-EC and ELOC are the only extended coverage concealed sprinklers available with a seal for clean rooms. By using an extended coverage sprinkler, the potential of air travel is further reduced as the number of sprinklers is reduced, as well as the overall cost of the system. Even with the clean room seal, these sprinklers have built-in adjustment. The GB4 and GB4-EC have 1/2" (15 mm) of adjustment and the ELOC has the most adjustment available with a total of almost 1" (25 mm). All of these sprinklers are UL, cUL Listed as standard response with the clean room seal.



Technical Data

Model: Clean Room Seal
Part Number: 10908100
Material: Silicone
Sprinkler Data: See individual data sheets
Approvals: UL, cUL
Ceiling Opening: 2½" (65 mm)
Weight: ½ oz. (14 g) (seal only)

Clean Room Seal



Design Data

GB4, Design Requirements
155°F/68°C and 200°F/93°C

| Listing | Sprinkler Designation | Bulb Type |
|---------|-----------------------|-----------|
| UL,cUL | GB4 | 5mm |

The GB4 Royal Flush Adjustable Concealed Pendant Sprinkler is UL, cUL Listed for standard area coverages and standard flow and pressure requirements as specified in current NFPA13 Standards.

GB4-EC Design Requirements
155°F/68°C and 200°F/93°C 5mm Bulb

| Listing | Sprinkler Designation | Coverage Area | Min. Flow | Min. Pressure | Temperature | |
|---------|-----------------------|----------------------------|---------------------|---------------------|-------------|------------|
| | | | | | Cover | Sprinkler |
| UL,cUL | GB4-EC | 16' x 16' 4.9 m x 4.9 m | 26 gpm 98.5 Lpm | 21.6 psi 1.5 bar | 135°F/57°C | 155°F/68°C |
| | | | | | 165°F/74°C | 200°F/93°C |
| UL,cUL | GB4-EC | 18' x 18' 5.5 m x 5.5 m | 33 gpm 125.1 Lpm | 32.7 psi 2.3 bar | 135°F/57°C | 155°F/68°C |
| | | | | | 165°F/74°C | 200°F/93°C |

The Model GB4-EC Sprinklers are UL, cUL Listed for Extended Coverage applications in light hazard occupancies only.

ELOC Optima™ Concealed Pendant Design Requirements
Extended Coverage Light Hazard Applications

| Listing | Coverage Area | Minimum Flow | Minimum Pressure | Temperature | |
|---------|---|------------------------|----------------------|-------------|-------------|
| | | | | Cover | Sprinkler |
| UL,cUL | 16' x 16' (256 sq. ft.) 4.9 m x 4.9 m (24m²) | 30.2 gpm (98.5 Lpm) | 7.0 psi (0.4 bar) | 135°F/57°C | 160°F/71°C |
| | | | | 165°F/74°C | 212°F/100°C |
| UL,cUL | 18 x 18 (324 sq. ft.) 5.5 x 5.5 (30.3 m²) | 33 gpm (125.1 Lpm) | 8.4 psi (0.6 bar) | 135°F/57°C | 160°F/71°C |
| | | | | 165°F/74°C | 212°F/100°C |

Figure 1
GB4 and GB4-EC Sprinkler with Optional Clean Room Seal

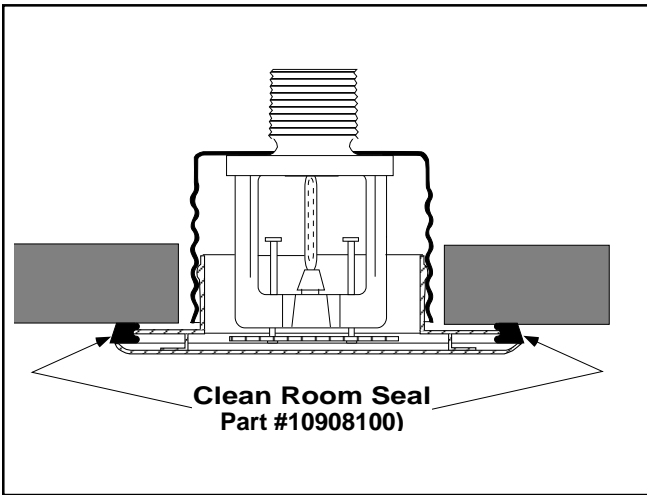


Figure 2
ELOC Sprinkler with Optional Clean Room Seal

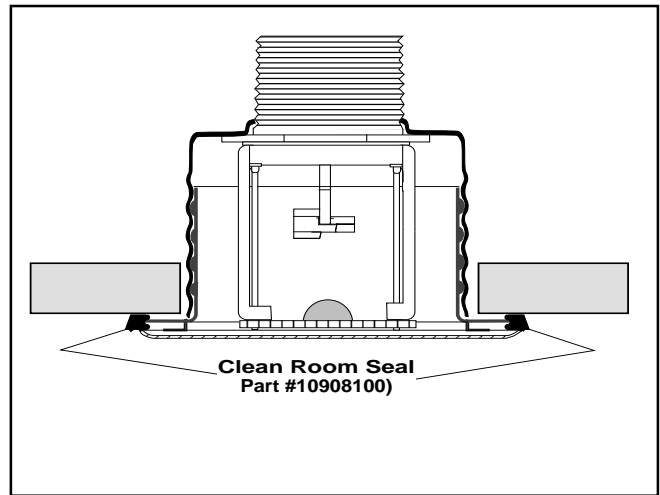


Figure 3
Clean Room Seal Cross Section

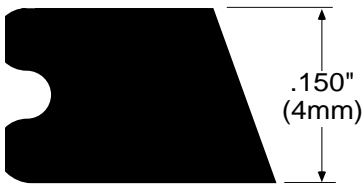
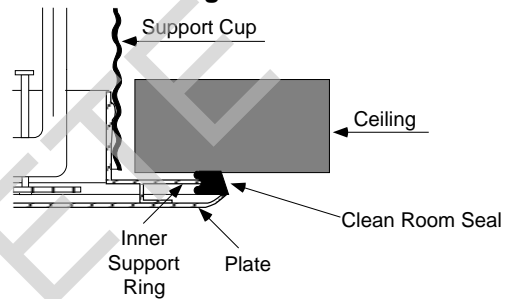


Figure 4



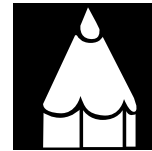
Installation

The clean room seal is shipped separately from the concealed plate assembly. To attach the seal to the plate, verify the angle of the outside of the seal is oriented according to Figure 3. Start the lid of the inner ring of the plate assembly in the grooved slot of the seal and continue around the inner ring with the seal until the entire circle is complete. **Please note the seal does not go on the plate itself, but rather the inner support ring to which the plate is attached.**(See Figure 4)



Care & Maintenance

The owner is responsible for the proper operating condition of all fire protection devices and accessories. The NFPA standard 25 entitled, "Inspection Testing and Maintenance of Water-Based Fire Protection Systems" contains guidelines and minimum maintenance requirements. Furthermore, the local *Authority Having Jurisdiction* may have additional regulations and requirements for maintenance, testing, and inspection that must be obeyed.



Ordering Information

Ordering Information: When placing an order, indicate the full product name. Please specify the quantity and model.

Availability and Service: Central sprinklers, valves, accessories and other products are available throughout the U.S. and Canada, and internationally, through a network of Central Sprinkler distribution centers. You may write directly to Central Sprinkler Company, or call 215-362-0700 for the distributor nearest you.

Patents: Patent #4,014,388 other patents are pending.



Central Sprinkler Company

451 North Cannon Avenue, Lansdale, PA 19446
PHONE (215) 362-0700
FAX (215) 362-5385