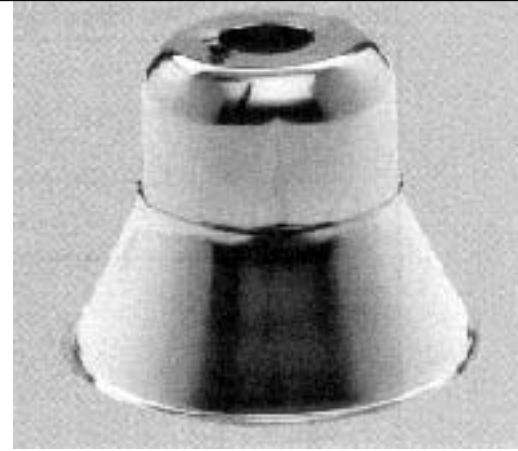


Sprinkler Escutcheon-401



Manufactured by: Central Sprinkler Company
451 North Cannon Avenue, Lansdale, Pennsylvania 19446

Product Description

The Central Two-Piece Adjustable Sprinkler Escutcheon is designed to enhance the appearance of pendent sprinklers when installed below ceilings. The escutcheon provides a decorative closure of the annular space between the sprinkler and the ceiling.

The Two-Piece Adjustable Sprinkler Escutcheon is of a telescoping type design that provides for 2" of field adjustment, thereby assuring a good fit against the ceiling. It is available in two thread sizes and three standard finishes. Additional special finishes are available upon request which require additional ordering time and a special paint charge.

Technical Data

Model: 401

Style: Two-Piece Adjustable
Escutcheon

Size: $\frac{1}{2}$ " (12.7 mm) or $\frac{3}{4}$ " (19.1 mm) N.P.T.

Standard Finishes: Brass, Chrome and
White

Depth: Minimum: $1\frac{7}{8}$ " (47.6 mm)
Maximum: $3\frac{1}{8}$ " (79.4 mm)

Diameter: Cup: $2\frac{1}{4}$ " dia. (57.15 mm)
Skirt: $3\frac{1}{2}$ " dia. (88.9 mm)

Weight: 2.8 oz. (79.4 grams)

Installation

The Two-Piece Adjustable Sprinkler Escutcheon is held in the proper position by being sandwiched between the face of the reducing coupling and the wrench boss on the sprinkler.

Installation Sequence:

Step 1. The face of the reducing coupling on the drop nipple should be a nominal $2\frac{1}{4}$ " ($\pm\frac{1}{2}$ ") below the finished ceiling surface.

Step 2. Prior to installation of the sprinkler, turn the escutcheon cup onto the sprinkler threads.

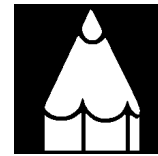
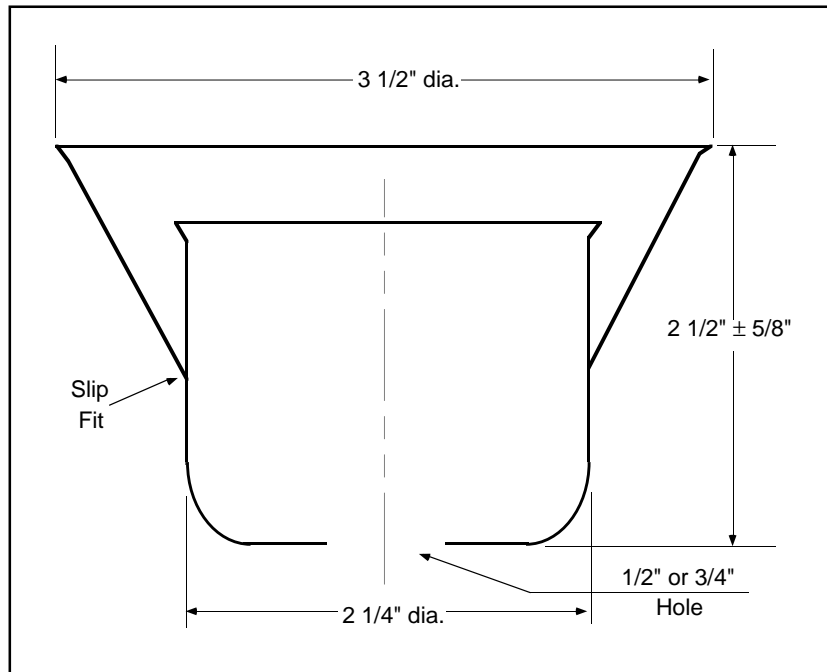
Two-Piece Adjustable Sprinkler Escutcheon

Step 3. Hand tighten the sprinkler and cup into the reducing coupling on the drop nipple.

Step 4. Wrench tighten the sprinkler to the recommended torque using the proper Central Sprinkler Wrench.

Step 5. After the ceiling is in place, align the escutcheon skirt with the sprinkler and press it up and over the escutcheon cup until the outer edge of the skirt meets the ceiling surface.

Cross Section - Two-Piece Sprinkler Escutcheon - 401



Ordering Information

Ordering Information: When placing an order, indicate the full product name. Please specify the model, size and quantity.

Availability and Service: Central sprinklers, valves, accessories, and other products are available throughout the U.S. and Canada; and internationally through a network of Central Sprinkler distribution centers. You may write directly to Central Sprinkler Company or call (215) 362-0700 for the distributor nearest you.

Guarantee: Central Sprinkler Company will repair and/or replace any products found to be defective in material or workmanship within a period of one year from the date of shipment. Please refer to the current Price List for further details of the warranty.

Conversion Table:

1 inch = 25.400 mm

Conversions are approximate.



Central Sprinkler Company

451 North Cannon Avenue, Lansdale, PA 19446

Phone (215) 362-0700

FAX (215) 362-5385