

## Style 10, 20, 30, and 40 Recessed Escutcheons For Automatic Sprinkler Recessed Installation

### General Description

The Style 10, 20, 30, and 40 Recessed Escutcheons are designed for recessed installation of certain Tyco Fire Products (Central, Gem, and Star) pendent and horizontal sidewall sprinklers. They are intended for use in areas with finished ceilings or walls, and the adjustment provided by these escutcheons reduces the accuracy to which fixed piping to the sprinklers must be cut, while providing a decorative recessed sprinkler installation.

The two-piece Style 10 (1/2 inch NPT) or Style 40 (3/4 inch NPT) Recessed Escutcheon provides 1/2 inch (12,7 mm) of recessed adjustment or up to 3/4 inch (19,1 mm) of total adjustment from the flush position. The two-piece Style 20 (1/2 inch NPT) or Style 30 (3/4 inch NPT) Recessed Escutcheon provides 1/4 inch (6,4 mm) of recessed adjustment or up to 1/2 inch (12,7 mm) of total adjustment from the flush position.

The Style 10, 20, 30, and 40 Recessed Escutcheons are redesignations for Central, Gem and Star brands as follows:

Style	Central	Gem	Star
10	3211	F700(1/2")	2085
20	3221	F705(1/2")	2084
30	4221	F705(3/4")	2086
40	4211	F700(3/4")	2088

#### WARNING

The Recessed Escutcheons described herein must be installed and maintained in compliance with this document, as well as with the applicable standards of the National Fire Protection Association, in addition to the standards of any other authorities having jurisdiction. Failure to do so may impair the integrity of these devices.

The owner is responsible for maintaining their fire protection system and de-

vices in proper operating condition. The installing contractor or sprinkler manufacturer should be contacted relative to any questions.

### Technical Data

#### Approvals

Approval information, as applicable, for the Style 10, 20, 30, and 40 Recessed Escutcheons is detailed in individual pendent and horizontal sidewall sprinkler data sheets that include details of recessed installation.

#### Finishes

Chrome Plated, White Coated, or Brass Plated. (Other colors are available on special request.)

#### Assembly

The two pieces of the Recessed Escutcheon are carbon steel.

### Installation

Installation information, as applicable, for the Style 10, 20, 30, and 40 Recessed Escutcheons is detailed in individual pendent and horizontal sidewall sprinkler data sheets that include details of recessed installation.

#### NOTE

The Style 10, 20, 30, and 40 Recessed Escutcheons must only be used with sprinklers for which they have been specifically laboratory approved (i.e., UL, C-UL, ULC, or FM).

### Care and Maintenance

Specific requirements of the NFPA must be performed, and any impairment must be immediately corrected.

#### NOTE

Absence of an escutcheon, used to



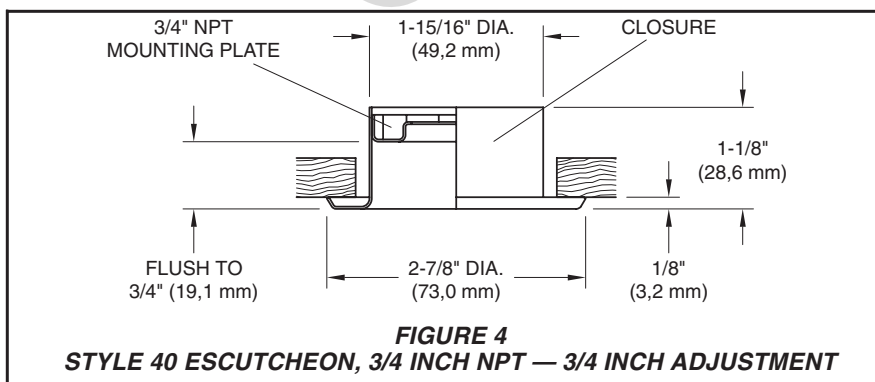
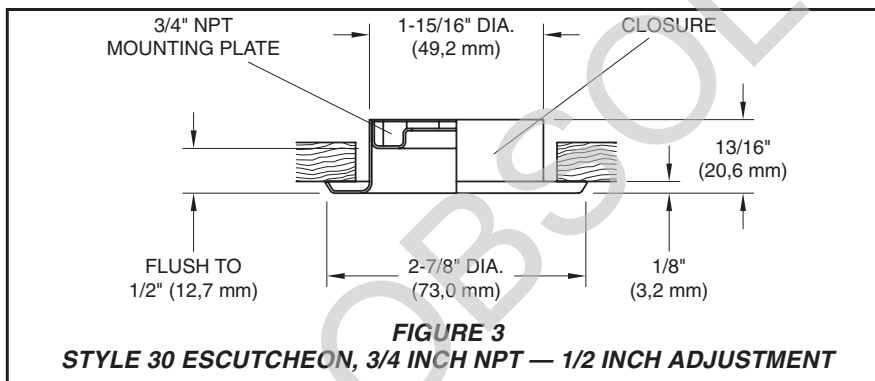
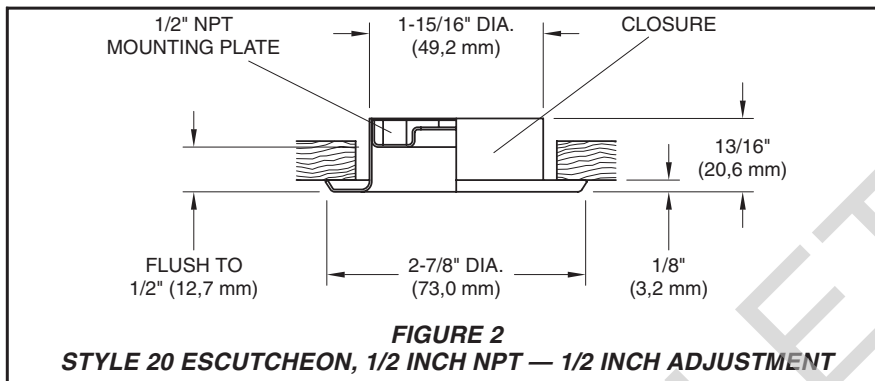
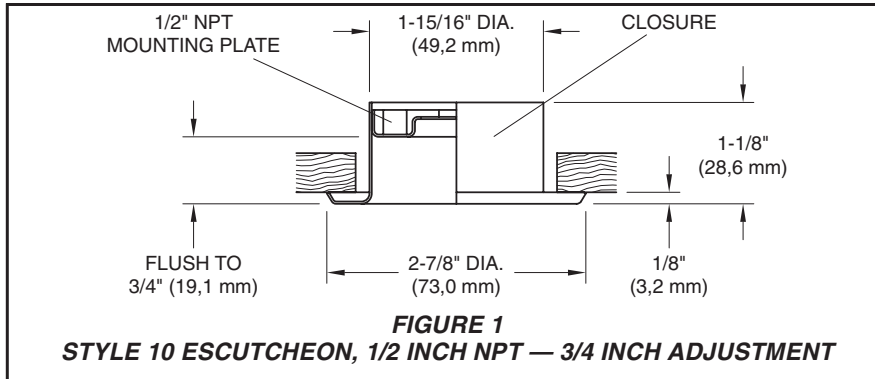
cover a clearance hole, may delay the time to sprinkler operation in a fire situation.

The owner is responsible for the inspection, testing, and maintenance of their fire protection system and devices in compliance with this document, as well as with the applicable standards of the National Fire Protection Association (e.g., NFPA 25), in addition to the standards of any authority having jurisdiction. The installing contractor or product manufacturer should be contacted relative to any questions.

It is recommended that automatic sprinkler systems be inspected, tested, and maintained by a qualified Inspection Service.

### Limited Warranty

Products manufactured by Tyco Fire Products are warranted solely to the original Buyer for ten (10) years against defects in material and workmanship when paid for and properly installed and maintained under normal use and service. This warranty will expire ten (10) years from date of shipment by Tyco Fire Products. No warranty is given for products or components manufactured by companies not affiliated by ownership with Tyco Fire Products or for products and components which have been subject to misuse, improper installation, corrosion, or which have not been installed,



system design errors or inaccurate or incomplete information supplied by Buyer or Buyer's representatives.

IN NO EVENT SHALL TYCO FIRE PRODUCTS BE LIABLE, IN CONTRACT, TORT, STRICT LIABILITY OR UNDER ANY OTHER LEGAL THEORY, FOR INCIDENTAL, INDIRECT, SPECIAL OR CONSEQUENTIAL DAMAGES, INCLUDING BUT NOT LIMITED TO LABOR CHARGES, REGARDLESS OF WHETHER TYCO FIRE PRODUCTS WAS INFORMED ABOUT THE POSSIBILITY OF SUCH DAMAGES, AND IN NO EVENT SHALL TYCO FIRE PRODUCTS' LIABILITY EXCEED AN AMOUNT EQUAL TO THE SALES PRICE.

**THE FOREGOING WARRANTY IS MADE IN LIEU OF ANY AND ALL OTHER WARRANTIES EXPRESS OR IMPLIED INCLUDING WARRANTIES OF MERCHANTABILITY AND FITNESS FOR A PARTICULAR PURPOSE.**

## Ordering Information

When placing an order, indicate the full product name. Refer to Price List for complete listing of Part Numbers.

Contact your local distributor for availability.

### Recessed Escutcheon:

Specify: Style (specify) Recessed Escutcheon with (specify finish), P/N (specify).

- Style 10  
 1/2"NPT (15mm)  
 Chrome Plated ..... P/N 56-701-9-010  
 White ..... P/N 56-701-4-010  
 Brass Plated ..... P/N 56-701-2-010

- Style 20  
 1/2"NPT (15mm)  
 Chrome Plated ..... P/N 56-705-9-010  
 White ..... P/N 56-705-4-010  
 Brass Plated ..... P/N 56-705-2-010

- Style 30  
 3/4"NPT (20mm)  
 Chrome Plated ..... P/N 56-705-9-011  
 White ..... P/N 56-705-4-011  
 Brass Plated ..... P/N 56-705-2-011

- Style 40  
 3/4"NPT (20mm)  
 Chrome Plated ..... P/N 56-700-9-010  
 White ..... P/N 56-700-4-010  
 Brass Plated ..... P/N 56-700-2-010

maintained, modified or repaired in accordance with applicable Standards of the National Fire Protection Association, and/or the standards of any other Authorities Having Jurisdiction. Materials found by Tyco Fire Products to be defective shall be either repaired or

replaced, at Tyco Fire Products' sole option. Tyco Fire Products neither assumes, nor authorizes any person to assume for it, any other obligation in connection with the sale of products or parts of products. Tyco Fire Products shall not be responsible for sprinkler