

Style 60 Two-Piece Flush Escutcheon 3/4 Inch NPT

General Description

The TYCO Style 60 Two-Piece Flush Escutcheon illustrated in Figure 1 is designed for use with TYCO Series EC-11 and EC-14 Pendent Sprinklers (described in Technical Data Sheet TFP220) where the piping is installed above a ceiling. They are used to improve the overall appearance of the installation by concealing the clearance holes required for the connecting piping and fittings to the sprinkler.

The separable two-piece design of the Style 60 allows installation of the sprinklers and pressure testing of the fire protection system/evaluation of leak tightness, prior to installation of a suspended ceiling or application of the finish coating to a fixed ceiling. It also permits the removal of suspended ceiling panels, for access to building service equipment, without having to first shut down the fire protection system and remove sprinklers.

NOTICE

The Style 60 Escutcheon described herein must be installed and maintained in compliance with this document, as well as with the applicable standards of the National Fire Protection Association, in addition to the standards of any other authorities having jurisdiction. Failure to do so may impair the performance of these devices.

IMPORTANT

Refer to Technical Data Sheet TFP2300 for warnings pertaining to regulatory and health information.

Always refer to Technical Data Sheet TFP700 for the "INSTALLER WARNING" that provides cautions with respect to handling and installation of sprinkler systems and components. Improper handling and installation can permanently damage a sprinkler system or its components and cause the sprinkler to fail to operate in a fire situation or cause it to operate prematurely.

The owner is responsible for maintaining their fire protection system and devices in proper operating condition. The installing contractor or sprinkler manufacturer should be contacted with any questions.

Technical Data

Approvals

UL Listed for use with Series EC-11 and EC-14 Pendent Sprinklers.

Finishes

Chrome, Signal White, or Brass

Material

Carbon Steel

Installation

The TYCO Style 60 Two-Piece Flush Escutcheon must be installed in accordance with this section.

General Instructions

A leak tight 3/4 inch NPT sprinkler joint should be obtained with a torque of 10 to 20 ft.-lbs. Higher levels of torque may distort the sprinkler orifice seat with consequent leakage.

The face of the sprinkler fitting must be positioned from 3/8 inch (9,5 mm) above to 1/8 inch (3,2 mm) below the level of the finished ceiling mounting surface. This will ensure that when installed the sprinkler escutcheon plate seating surface is located within the nominal range to allow proper installation of the escutcheon closure.

Do not attempt to correct for insufficient installation and adjustment of the escutcheon closure by under- or over-tightening the sprinkler. Readjust the position of the sprinkler fitting to suit.

Step 1. Orient flat face of escutcheon mounting plate parallel with open end of sprinkler threads.

Step 2. Engage sprinkler threads with mounting plate threads and rotate until mounting plate is flush with sprinkler frame arms.



Step 3. With thread sealant applied to sprinkler pipe threads, hand tighten sprinkler into sprinkler fitting.

Step 4. Using appropriate sprinkler wrench, apply wrench to designated sprinkler wrenching area and tighten sprinkler into sprinkler fitting. (Refer to Technical Data Sheet TFP220).

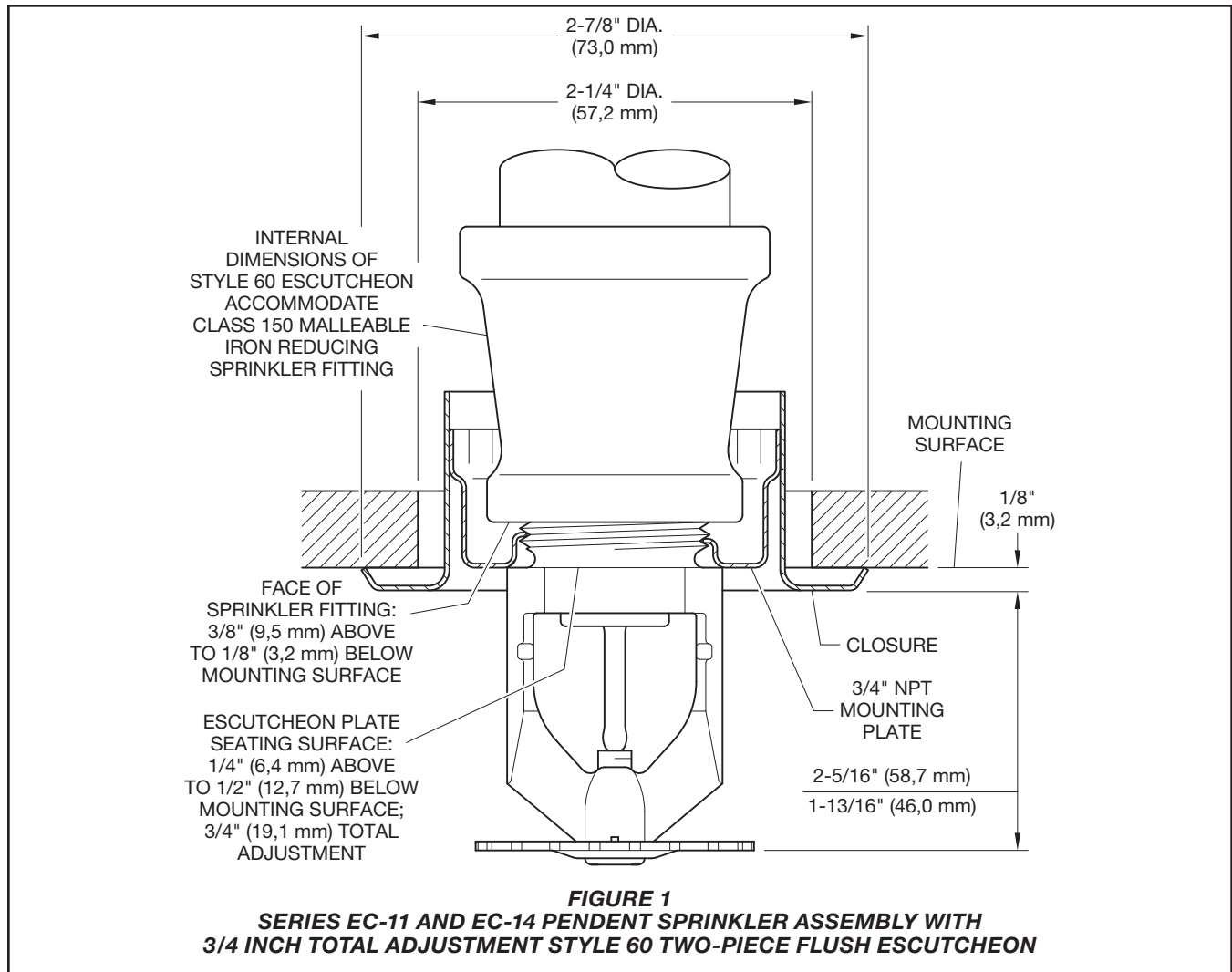
Step 5. After suspended ceiling panel has been installed or finish coat has been applied to fixed ceiling, slide escutcheon closure over sprinkler and mounting plate, pushing until flush against mounting surface. If installed beneath suspended ceiling do not push escutcheon closure beyond point of contact with mounting surface and lift ceiling panel above normal position.

Care and Maintenance

The following inspection procedure must be performed as indicated, in addition to any specific requirements of the NATIONAL FIRE PROTECTION ASSOCIATION (NFPA). Any impairments must be immediately corrected.

The owner is responsible for the inspection, testing, and maintenance of their fire protection system and devices in compliance with this document, as well as with the applicable standards of the NFPA (for example, NFPA 25), in addition to the standards of any authority having jurisdiction. The installing contractor or product manufacturer should be contacted relative to any questions.

It is recommended that automatic sprinkler systems be inspected, tested, and maintained by a qualified Inspec-



tion Service in accordance with local requirements and/or national codes.

After placing a fire protection system in service, notify the proper authorities and advise those responsible for monitoring proprietary and/or central station alarms.

Limited Warranty

For warranty terms and conditions, visit www.tyco-fire.com.

Ordering Procedure

Contact your local distributor for availability. When placing an order, indicate the full product name and Part Number (P/N).

Style 60 Two-Piece Flush

Escutcheon:

Specify: Style 60 Two-Piece Flush Escutcheon with 3/4 NPT, (specify) Finish, P/N (specify):

Chrome P/N 208102
 Signal White (RAL9003) P/N 208104
 Brass P/N 208107