

Style 65 One-Piece Flush Escutcheon Style 401 Two-Piece Deep Escutcheon 1/2 Inch and 3/4 Inch NPT

General Description

The TYCO Styles 65 and 401 Escutcheon Plates illustrated in Figures 1 and 2 are designed for use with pendent and horizontal sidewall automatic sprinklers in fire protection systems where the piping is installed above a ceiling or behind a wall. They are used to improve the overall appearance of the installation by concealing the clearance holes required for the connecting piping and fittings to the sprinkler.

The Escutcheon Plates are available in two styles: Style 65 flush one-piece (non-adjustable), and Style 401 deep two-piece (adjustable).

The flush one-piece (non-adjustable) Style 65 Escutcheon Plates (Fig. 1) are used where the position of the sprinkler "escutcheon plate seating surface" (relative to the ceiling line or wall) can be fixed by adjusting the length of the interconnecting piping.

The two-piece Style 401 Escutcheon Plates (Ref. Figure 2) are used where it is necessary to position the sprinkler away from the ceiling/wall surface so that spray will not be adversely affected by protruding obstructions such as light fixtures and HVAC diffusers.

The adjustment provided by the Style 401 Escutcheon Plates reduces the accuracy to which the length of the fixed pipe drops or horizontal pipe runs to the sprinklers must be cut, and it provides additional flexibility in the interconnecting pipe.

The separable, two-piece design of the Style 401 allows installation of the sprinklers and pressure testing of the fire protection system/evaluation of leak tightness prior to installation of a suspended ceiling or application of the finish coating to a fixed ceiling. They also permit the removal of suspended ceiling panels, for access to building service equipment, without having to first shut down the fire protection system and remove sprinklers.

NOTICE

The Style 65 and 401 Escutcheons described herein must be installed and maintained in compliance with this document, as well as with the applicable standards of the National Fire Protection Association, in addition to the standards of any other authorities having jurisdiction. Failure to do so may impair the performance of these devices.

The owner is responsible for maintaining their fire protection system and devices in proper operating condition. Contact the installing contractor or product manufacturer with any questions.

Technical Data

Approvals

With reference to NFPA 13, listings/approvals are not required for metallic escutcheons used for non-recessed applications.

Finishes

Chrome, Signal White, or Brass

Material

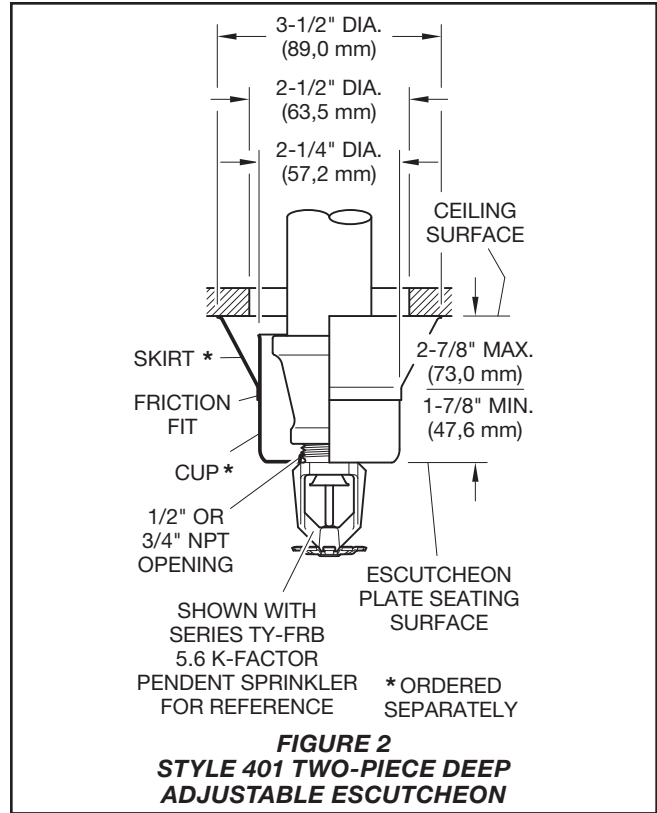
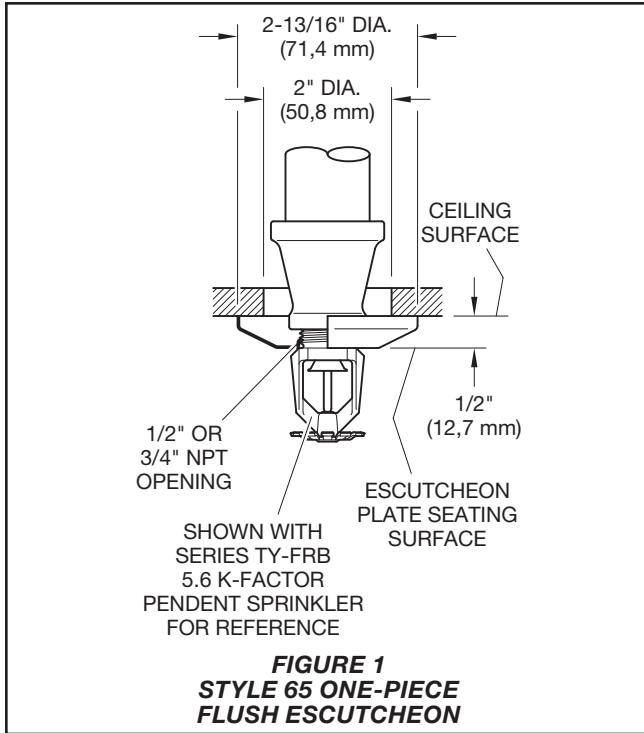
Carbon Steel



**STYLE 65
ONE-PIECE ESCUTCHEON**



**STYLE 401
TWO-PIECE ESCUTCHEON**



Installation

The TYCO Styles 65 and 401 Escutcheon Plates must be installed in accordance with this section.

General Instructions

A leak-tight 1/2 inch NPT sprinkler joint should be obtained with a torque of 7 to 14 ft.-lbs. and 10 to 20 ft.-lbs. should be sufficient for a 3/4 inch NPT sprinkler. Higher levels of torque may distort the sprinkler orifice seat with consequent leakage.

Do not attempt to make-up for insufficient adjustment in an Escutcheon Plate by under- or over-tightening the sprinkler. Readjust the position of the sprinkler fitting to suit.

Style 65

The pipe connected to the sprinkler fitting must be cut so that the escutcheon plate seating surface is at the proper nominal distance in front of the wall or below the ceiling. Manufacturing variations in the take-out of the fittings as well as the make-in of the sprinklers (as permitted by ANSI B1.20.1) may require that trial cuts of the connecting pipe be made.

Proceed with the assembly as follows:

Step 1. Insert the threaded end of the sprinkler through the Escutcheon Plate.

Step 2. Apply pipe thread sealant sparingly to the sprinkler threads only. Use of a non-hardening type of TEFLON based pipe thread sealant is recommended.

Step 3. Hand tighten the sprinkler with the attached Escutcheon Plate into the sprinkler fitting.

Step 4. Using the appropriate sprinkler wrench, tighten the sprinkler into the fitting.

Style 401

The pipe connected to the sprinkler fitting must be cut so that the escutcheon plate seating surface is at the proper nominal distance in front of the wall or below the ceiling.

Proceed with the assembly as follows:

Step 1. Separate the two pieces of the Escutcheon Plate and screw the cup onto the sprinkler until the plate is engaged onto the last thread of the sprinkler.

Step 2. Apply a brush-on pipe thread sealant sparingly to the sprinkler threads only. Use of a non-hardening type of TEFLON based pipe thread sealant is recommended.

Step 3. Hand tighten the sprinkler with the attached inner plate into the sprinkler fitting.

Step 4. Using the appropriate sprinkler wrench, tighten the sprinkler into the fitting.

Step 5. After a suspended ceiling has been installed or the finish coat has been applied to a wall or fixed ceiling (as appropriate), align the detents in the skirt over those in the cup and then slide the cup over the skirt until it comes in contact with the mounting surface. Do not push the skirt such that it will lift a ceiling tile out of its normal position.

Holding the skirt in contact with the mounting surface, rotate the skirt approximately 1/8-turn in relation to the cup creating a friction fit between the skirt detents and the cup wall, to hold the Escutcheon Plate firmly together.

Care and Maintenance

The TYCO Style 65 and 401 Escutcheon Plates must be maintained and serviced in accordance with this section. Any impairments must be immediately corrected.

The owner is responsible for the inspection, testing, and maintenance of their fire protection system and devices in compliance with this document, as well as with the applicable standards of the National Fire Protection Association (e.g., NFPA 25), in addition to the standards of any authority having jurisdiction. Contact the installing contractor or product manufacturer with any questions.

It is recommended that automatic sprinkler systems be inspected, tested, and maintained by a qualified Inspection Service in accordance with local requirements and/or national codes.

After placing a fire protection system in service, notify the proper authorities and advise those responsible for monitoring proprietary and/or central station alarms.

Limited Warranty

For warranty terms and conditions, visit www.tyco-fire.com.

Ordering Procedure

Contact your local distributor for availability. When placing an order, indicate the full product description and Part Number (P/N).

Style 65 One-Piece Flush Escutcheon

Specify: Style 65 One-Piece Flush Escutcheon, (specify thread size), (specify finish), P/N (specify):

1/2 Inch NPT	
Chrome Plated	1153
Signal White (RAL9003)	1174
Brass Plated	1150

3/4 Inch NPT	
Chrome Plated	1152
Signal White (RAL9003)	1175
Brass Plated	1184

Style 401 Two-Piece Deep Escutcheon

The Style 401 Two-Piece Deep Escutcheon is comprised of separately ordered Cup and Skirt components.

Cup

Specify: Style 401 Two-Piece Deep Escutcheon Cup, (specify thread size), (specify finish), P/N (specify):

1/2 Inch NPT	
Chrome Plated	1192
Signal White (RAL9003)	1196
Brass Plated	1194

3/4 Inch NPT	
Chrome Plated	1193
Signal White (RAL9003)	1197
Brass Plated	1195

Skirt

Specify: Style 401 Two-Piece Deep Escutcheon Skirt, (specify finish), P/N (specify):

Chrome Plated	1198
Signal White (RAL9003)	1200
Brass Plated	1199

